



Peelers
Vegetable Peeler, 8kg with
abrasive plate, removable chamber

ITEM # _____
 MODEL # _____
 NAME # _____
 SIS # _____
 AIA # _____



Peelers

Vegetable Peeler, 8kg with abrasive plate, removable chamber

603505 (DT8E)

8 kg vegetable peeler, abrasive plate and abrasive cylinder

Short Form Specification

Item No. _____

Can be placed on a worktop. 8 kg, removable stainless steel peeling chamber contains the abrasive plate which also serves as a container for carrying the vegetables. Vegetables can be loaded directly into the peeling chamber, away from the machine. Easily assembled onto the base, with the drive shaft fitting into the centre of the plate. The transparent cover closes the cylinder during the peeling operations. Timer pre-set to 3 minutes. Peeling speed: 305 rpm. Removable water inlet, on the cover, designed to serve as a spray for cleaning the machine. The electronic controls and the motor of the peeler have IP55 protection. Optional drying basket.
 Supplied with abrasive plate and abrasive cylinder.

Main Features

- Removable stainless steel peeling chamber to contain the abrasive plate which also serves as a container to carry the vegetables.
- Supplied with:
 -abrasive plate and abrasive cylinder as standard
- Removable water inlet, clipped to the cover, designed to serve as a spray to clean the machine.
- Red OFF, green ON buttons.
- Peeling time on timer preset to 3 minutes
- Dishwasher safe removable parts.
- Transparent lid to close the cylinder during peeling operations.
- Easily fits onto the base, with the drive shaft fitting into the center of the plate.
- Unit can be placed on a work top.
- Suitable for 80-150 meals per service.

Construction

- 1 speed: 305 rpm.
- IP55 waterproof control buttons.

Included Accessories

- 1 of Abrasive plate for 5/8 kg vegetable PNC 653316 peeler

Optional Accessories

- Abrasive plate for 5/8 kg vegetable peeler PNC 653316
- Drying basket for 8 kg vegetable peeler PNC 653495 (only T8E)
- Stainless steel table for 5 and 8 kg vegetable peelers PNC 653496
- Filter basket for 8 kg vegetable peeler and 5/8 kg seashell cleaners PNC 653514

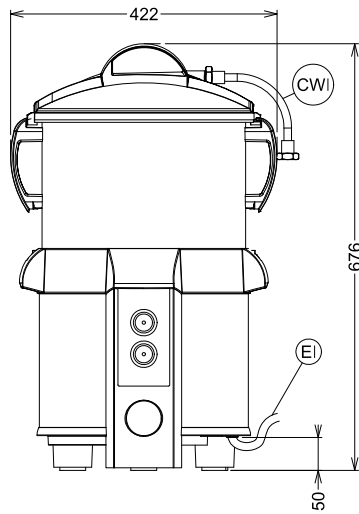
APPROVAL: _____



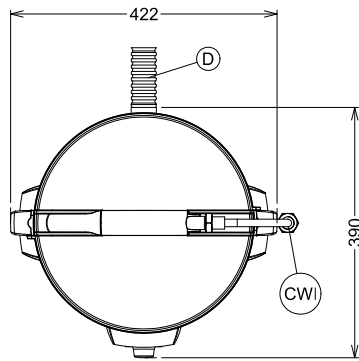


Peelers Vegetable Peeler, 8kg with abrasive plate, removable chamber

Front

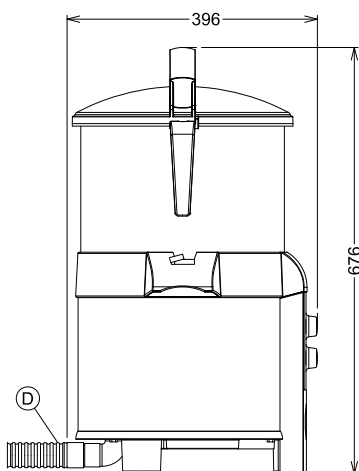


Top



- CW11** = Cold Water inlet 1
D = Drain
EI = Electrical connection

Side



Electric

Supply voltage:

603505 (DT8E) 220-240 V/1N ph/50/60 Hz

Electrical power max.: 0.37 kW

Total Watts: 0.37 kW

Capacity:

Performance (up to): 130 - kg/hour

Capacity: 8 kg

Key Information:

External dimensions, Height: 676 mm

External dimensions, Width: 422 mm

External dimensions, Depth: 396 mm

Shipping weight: 26 kg



Peelers
Vegetable Peeler, 8kg with abrasive plate, removable chamber
The company reserves the right to make modifications to the products
without prior notice. All information correct at time of printing.