



Peelers Vegetable Peeler, 15 kg - Abrasive Plate & Cylinder

ITEM # _____
MODEL # _____
NAME # _____
SIS # _____
AIA # _____



Peelers

Vegetable Peeler, 15 kg - Abrasive Plate & Cylinder

603515 (DT15E1C)	15 kg vegetable peeler. Abrasive plate and abrasive cylinder
603516 (DT15E324C)	15 kg vegetable peeler. Abrasive plate and abrasive cylinder

Short Form Specification

Item No.

Constructed in stainless steel with a transparent lid in special high resistant plastic. The removable rotating plate is covered with a special abrasive vitreous (lavastone) material guaranteeing a high quality finish to the peeled vegetables and a practically unlimited lifespan. Flat and waterproof (IP55) control panel with programmable timer and low voltage level. An interlocking safety magnetic devices will stop the machine from operating when the lid or unloading door is opened. Removable water jet device is fitted as standard to facilitate cleaning.

Supplied with abrasive plate and abrasive cylinder for hard vegetables peeling.

Main Features

- Transparent lid in damage-resistant plastic material allows visibility during peeling cycle.
- Supplied with:
-abrasive plate and cylinder
- Removable rotating plate covered in abrasive vitreous material (lava stone) to ensure high quality finish to peeled vegetables.
- Peels are reduced to small pieces to facilitate drainage process.
- Pulse function to control the unloading operation.
- Removable water inlet, clipped to the cover, designed to serve as a spray to clean the machine.
- Timer with countdown display.
- Magnetic detectors will stop the machine from operating when the lid and/or door are opened.
- Suitable for 80-300 meals per service.

Construction

- Complete stainless steel construction.
- IP55 waterproof touch button control panel.

Included Accessories

- 1 of Abrasive plate for T10 or T15 PNC 653203

Optional Accessories

- Abrasive plate for T10 or T15 PNC 653203
- Drying basket for T15 PNC 653209
- Filter table with sliding shelf, pre-assembled PNC 653783
- Filter table with sliding shelf PNC 653784

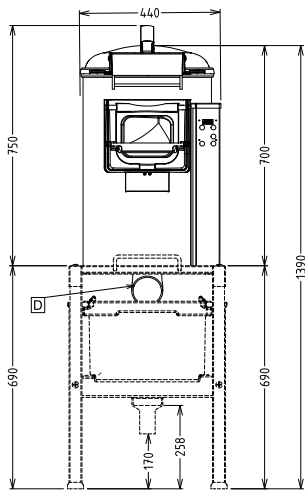
APPROVAL: _____



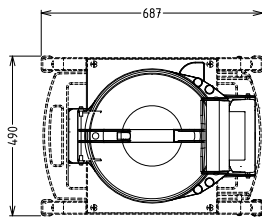


Peelers Vegetable Peeler, 15 kg - Abrasive Plate & Cylinder

Front

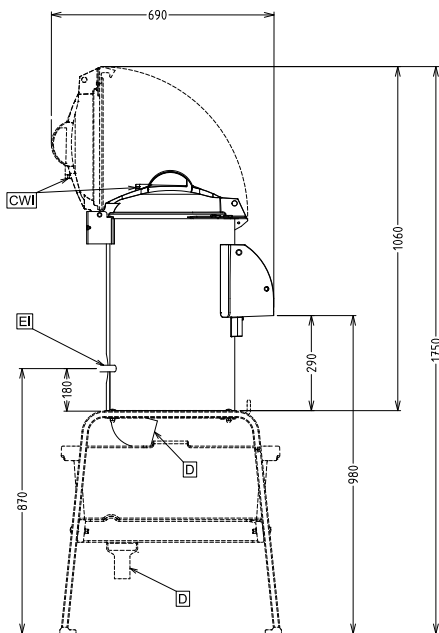


Top



- CW11 = Cold Water inlet 1
- D = Drain
- EI = Electrical connection

Side



Electric

Supply voltage:

603515 (DT15E1C)

220-240 V/1N ph/50/60 Hz

200-240/380-440 V/3 ph/50/60 Hz

603516 (DT15E324C)

Electrical power max.:

0.37 kW

Total Watts:

0.37 kW

Capacity:

Performance (up to):

240 - kg/hour

Capacity:

15 kg

Key Information:

External dimensions, Height:

750 mm

External dimensions, Width:

440 mm

External dimensions, Depth:

690 mm

Shipping weight:

52 kg



Peelers
Vegetable Peeler, 15 kg - Abrasive Plate & Cylinder

The company reserves the right to make modifications to the products without prior notice. All information correct at time of printing.

2016.09.23