



Waffle Baker Belgian Double

“Anvil’s Belgian style waffle baker is ideal for use in kitchens, coffee shops, outdoor markets and ice cream parlours.”

Model: WBA1002

APPLICATION

- Ideal for kitchens, coffee shops, fast food outlets, outdoor markets and ice cream parlours

CONSTRUCTION

- 4 x 600W high power heating elements
- Programmable heat and time setting
- Stainless Steel construction
- Digital read out display
- Buzzer timer alarm
- 180° rotating waffle plates

OPERATION

- Programmable heating and timing with audible timer alarm buzzer



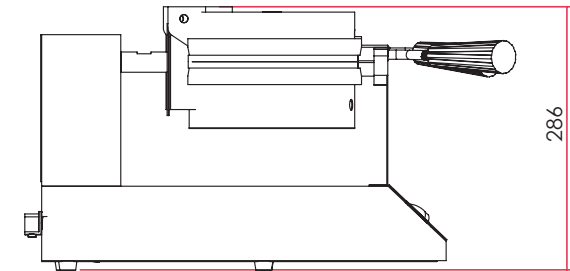
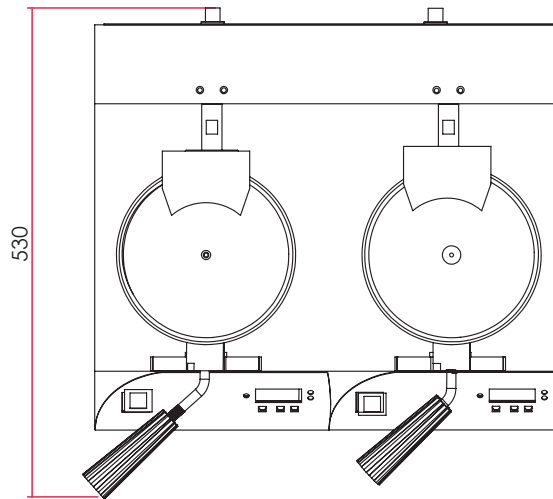
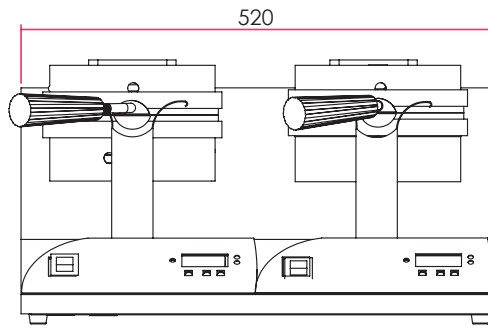
 ANVIL

AXIS



ALL ANVIL EQUIPMENT COMES WITH A ONE
YEAR WARRANTY ON COMPONENTS AND
DEFECTIVE WORKMANSHIP.
www.anvilworld.com

AXIS



DESCRIPTION

BELGIAN WAFFLE BAKER DOUBLE PLATE

| | |
|-----------------------------|-----------------|
| MODEL | WBA1002 |
| POWER RATING (230V/50Hz) | 1.2kW |
| DIMENSIONS (mm) (W x D x H) | 520 x 530x 286 |
| BOX DIMNS (mm) (W x D x H) | 550 x 560 x 330 |
| PACKED WEIGHT | 18 |

- Unit available in 120V/60Hz configuration

Model: WBA1002

NOTE: When viewing the appliance from the front in it's usual operating position, the width (W) of the product is the total distance from left to right; the depth (D) of the product is the total distance from the front to the back; the height (H) is the total distance from the of the product to the top.

 ANVIL

AXIS

Note: Output performance figures quoted are dependant on various factors

Anvil reserves the right, without notice, to make changes and revisions to product specifications, materials and design, which in our opinion, will provide better performance, durability and efficiency.