



## Water Urn 16lt Economy

*“Anvil’s all-welded Stainless Steel Urn is impervious to rust and is tough enough to withstand day-to-day knocks.”*



 ANVIL

# AXIS

## Model: URS0016

### APPLICATION

- Use on buffets, carveries, outside catering, restaurants, convenience venues, hospitals etc.
- Completely portable and easy to transport

### CONSTRUCTION

- Insulated handles
- Its modern and fashionable look complements the aesthetics of your business

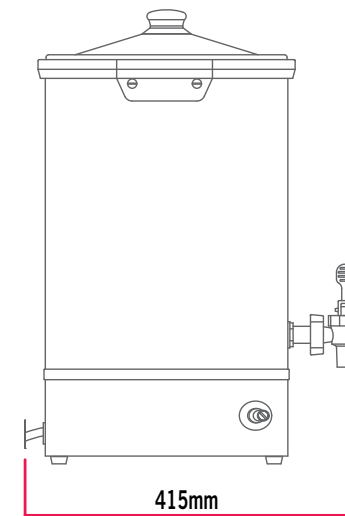
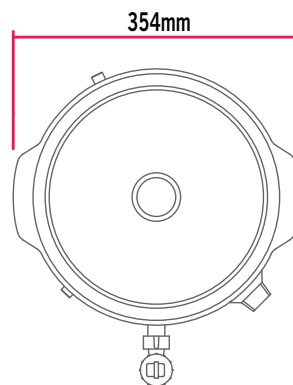
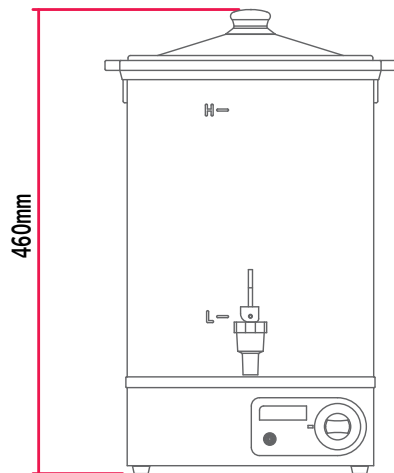
### HEATING

- Variable heat control
- Pilot light indicates when light is on



ALL ANVIL EQUIPMENT COMES WITH A ONE  
YEAR WARRANTY ON COMPONENTS AND  
DEFECTIVE WORKMANSHIP.  
[www.anvilworld.com](http://www.anvilworld.com)

S  
A  
X  
I  
S



## DESCRIPTION

MODEL  
POWER RATING (230V/50Hz)  
DIMENSIONS (mm) (W x D x H)  
BOX DIMNS (mm) (W x D x H)  
PACKED WEIGHT (kg)  
COMPLIES WITH SPEC

- Unit available in 120V/60Hz configuration

## 16 LITRE ECONOMY

URS0016  
2.7kW  
354 x 415 x 460  
352 x 352 x 482  
8  
SABS IEC 60335

## Model: URS0016

NOTE: When viewing the appliance from the front in its usual operating position, the width (W) of the product is the total distance from left to right; the depth (D) of the product is the total distance from the front to the back; the height (H) is the total distance from the bottom of the product to the top.

 ANVIL

# AXIS

Note: Output performance figures quoted are dependant on various factors

Anvil reserves the right, without notice, to make changes and revisions to product specifications, materials and design, which in our opinion, will provide better performance, durability and efficiency.