



Water Urn 12lt Economy

“Anvil’s all-welded Stainless Steel Urn is impervious to rust and is tough enough to withstand day-to-day knocks.”

Model: URS0012

APPLICATION

- Use on buffets, carveries, outside catering, restaurants, convenience venues, hospitals etc.
- Completely portable and easy to transport

CONSTRUCTION

- Insulated handles
- Its modern and fashionable look complements the aesthetics of your business

HEATING

- Variable heat control
- Pilot light indicates when light is on



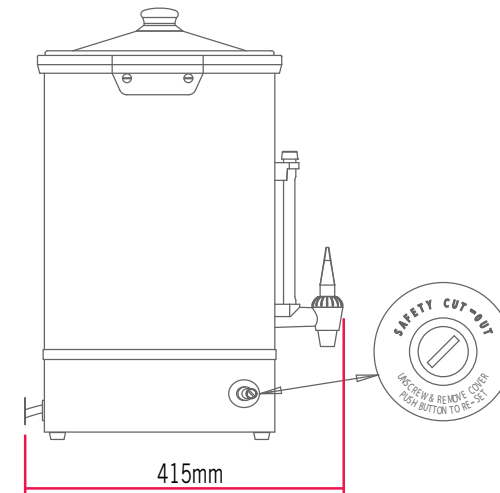
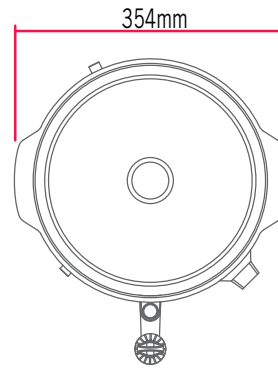
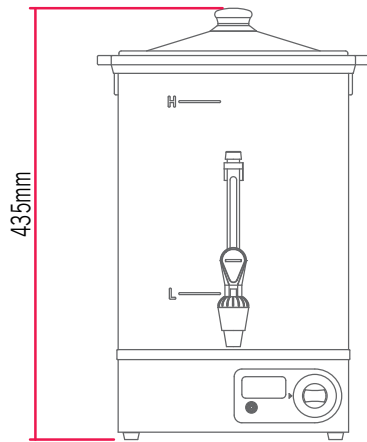
 ANVIL

AXIS



ALL ANVIL EQUIPMENT COMES WITH A ONE
YEAR WARRANTY ON COMPONENTS AND
DEFECTIVE WORKMANSHIP.
www.anvilworld.com

S
A
X
I
S



DESCRIPTION

MODEL
POWER RATING (230V/50Hz)
DIMENSIONS (mm) (W x D x H)
BOX DIMNS (mm) (W x D x H)
PACKED WEIGHT (kg)
COMPLIES WITH SPEC

- Unit available in 120V/60Hz configuration

12 LITRE ECONOMY

URS0012
2.7kW
354 x 415 x 435
352 x 352 x 432
7
SABS IEC 60335

Model: URS0012

NOTE: When viewing the appliance from the front in its usual operating position, the width (W) of the product is the total distance from left to right; the depth (D) of the product is the total distance from the front to the back; the height (H) is the total distance from the bottom of the product to the top.

 ANVIL

AXIS

Note: Output performance figures quoted are dependant on various factors

Anvil reserves the right, without notice, to make changes and revisions to product specifications, materials and design, which in our opinion, will provide better performance, durability and efficiency.