



COUNTERTOP SINGLE BURNER (HOB) COOKTOP with StepXStep Controls



PERFORMANCE

The CookTek® Countertop Single Burner (Hob) Cooktop with StepXStep Controls is a portable countertop design with stainless steel housing and a glass-ceramic cooktop intended for use in commercial kitchens and restaurants. Each unit holds up to 64 step-by-step recipes that are programmed using an easy-to-use PC-based computer application. Automatic pan detection ensures maximum and efficient heating of any induction-compatible pan.*

Project _____

Item No. _____

Quantity _____

FEATURES

- Models available in 1,800 (U.S. only); 2,500; 3,000; 3500 watts
- Portable design with stainless steel housing
- High-quality internal electronics and heavy gauge Litz wire
- Easy-to-clean high-temperature glass-ceramic top
- Automatic pan detection allows for instant energy transmission to pan
- Create step-by-step cooking instructions using a PC-based computer application
- Built-in USB port for easy upload – holds up to 64 recipes
- Touch controls with LCD display panel
- Automatic shut-off feature prohibits overheating
- Integral grease filter and air baffle ensure air intake is cleaner and cooler
- Unit automatically switches to Holding Mode while waiting for operator interaction
- Microprocessor monitors vital components to check for overheating, power supply issues, and more
- Integral fan keeps internal components cool
- Available in 100–120 VAC or 200–240 VAC, single phase
- Two-year advanced replacement warranty – U.S. and Canada

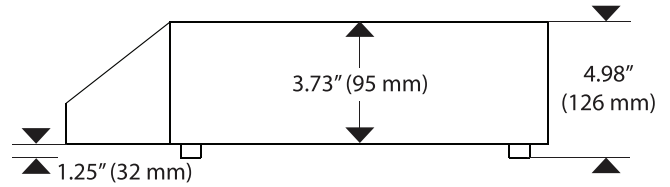
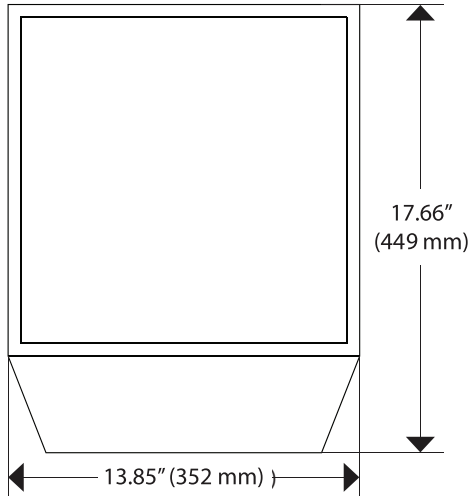
COUNTERTOP SINGLE BURNER (HOB) COOKTOP

CERTIFICATIONS



*Induction cooking requires the use of induction-compatible (i.e. magnetic) cookware.

It is the owner and installer’s responsibility to comply with all local codes. CookTek reserves the right to make substitutions of components or change specifications without prior notice.



DIMENSIONS		
Full Unit Height	4.98"	126 mm
Housing Height	3.75"	95 mm
Full Unit Width	13.85"	352 mm
Full Unit Depth	17.66"	448 mm
Feet Height	1.25"	32 mm
Weight	17.75 lb.	8.0 kg
Max Ambient Temperature	122°F	50°C
WALL CLEARANCE		
Front	2"	51 mm
Sides	2"	51 mm
Rear	2"	51 mm
SHIPPING INFORMATION		
Packaged Height	9"	229 mm
Packaged Width	18.75"	476 mm
Packaged Depth	20.75"	527 mm
Packaged Weight	23 lb.	10.4 kg

ELECTRICAL SPECIFICATIONS (SINGLE PHASE)			
UNITED STATES/CANADA			
ACD1800G	625001	100–240 V, 50/60 Hz, 15 A, 100–1,800 W	NEMA 5-15P
ACD2500G	625101	200–240 V, 50/60 Hz, 12 A, 100–2,500 W	NEMA 6-20P
ACD3000G	625201	200–240 V, 50/60 Hz, 14 A, 100–3,000 W	NEMA 6-20P
ACD3500G	625301	200–240 V, 50/60 Hz, 15 A, 100–3,500 W	NEMA 6-20P
UK			
ACD2500G	625102	200–240 V, 50/60 Hz, 12 A, 100–2,500 W	BS1363, 13A, 230V
ACD3000G	625202	200–240 V, 50/60 Hz, 14 A, 100–3,000 W	BS1363, 13A, 230V
ACD3500G	625302	200–240 V, 50/60 Hz, 15 A, 100–3,500 W	IEC 309, 16A, 3-pin
INTERNATIONAL			
ACD2500G	625103	200–240 V, 50/60 Hz, 12 A, 100–2,500 W	CEE 7/7 Schuko, 16A, 250V
ACD3000G	625203	200–240 V, 50/60 Hz, 14 A, 100–3,000 W	CEE 7/7 Schuko, 16A, 250V
ACD3500G	625303	200–240 V, 50/60 Hz, 15 A, 100–3,500 W	CEE 7/7 Schuko, 16A, 250V
AUSTRALIA			
ACD2500G	625104	200–240 V, 50/60 Hz, 12 A, 100–2,500 W	AS/NZS 3112:2000, 10A, 250V
ACD3000G	625204	200–240 V, 50/60 Hz, 14 A, 100–3,000 W	AS/NZS 3112:2000, 15A, 250V
ACD3500G	625304	200–240 V, 50/60 Hz, 15 A, 100–3,500 W	AS/NZS 3112:2000, 15A, 250V
SOUTH AFRICA			
ACD2500G	625107	200–240 V, 50/60 Hz, 12 A, 100–2,500 W	BS 546, 16A, 250V
ACD3000G	625207	200–240 V, 50/60 Hz, 14 A, 100–3,000 W	BS 546, 16A, 250V
ACD3500G	625307	200–240 V, 50/60 Hz, 15 A, 100–3,500 W	BS 546, 16A, 250V
ISRAEL			
ACD2500G	625108	200–240 V, 50/60 Hz, 12 A, 100–2,500 W	SI 32, 16A, 250V
ACD3000G	625208	200–240 V, 50/60 Hz, 14 A, 100–3,000 W	SI 32, 16A, 250V
ACD3500G	625308	200–240 V, 50/60 Hz, 15 A, 100–3,500 W	SI 32, 16A, 250V
SAUDI ARABIA			
ACD2500G	625110	200–240 V, 50/60 Hz, 12 A, 100–2,500 W	BS1363, 13A, 230V
ACD3000G	625210	200–240 V, 50/60 Hz, 14 A, 100–3,000 W	BS1363, 13A, 230V
ACD3500G	625310	200–240 V, 50/60 Hz, 15 A, 100–3,500 W	IEC 309, 16A, 3-pin



NEMA 5-15P



AS/NZS 3112:2000, 10A, 250V



NEMA 6-20P



AS/NZS 3112:2000, 15A, 250V



BS1363, 13A, 230V



BS 546, 16A, 250V



IEC 309, 16A, 3-pin



CEE 7/7 Schuko, 16A, 250V



SI 32, 16A, 250V

Dedicated circuit required for each installation.

Global Operations

2801 Trade Center Drive / Carrollton, Texas 75007 USA
 US: 800.90TURBO (800.908.8726) / International: +1 214.379.6000
 Fax: +1 214.379.6073 / www.cooktek.com