



## Stove Top Double

*“Anvil’s Stove Tops are designed for heavy duty commercial use and can be used for cooking, holding and warming”*

## Model: STA0002

### APPLICATION

- Used in restaurants, coffee shops and pubs
- Particularly suited to buffet lines, outside caterers and mobile cooking facilities
- Can accommodate large pots

### CONSTRUCTION

- This stove body is made from Stainless Steel for durability and ease of cleaning
- Splashback prevents spillage

### HEATING

- The hot plate has embedded elements which are permanently bonded for maximum heat retention and dispersion
- Rapid heat up to 300°C
- Six stage heat switch for simmering and boiling



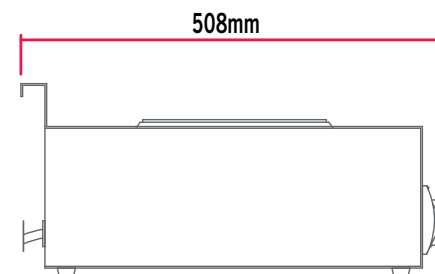
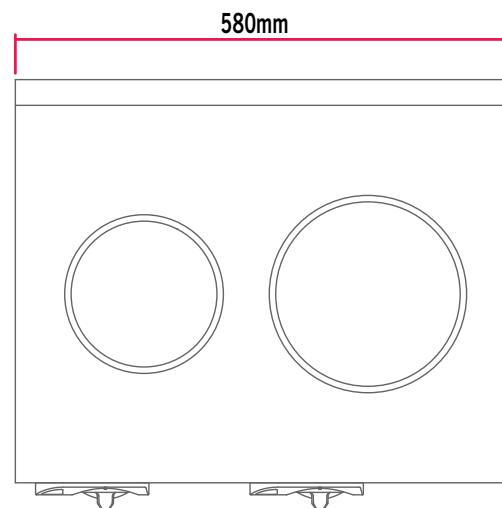
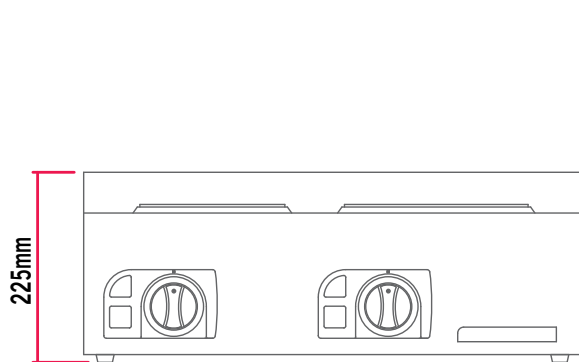
**ANVIL**

# AXIS



ALL ANVIL EQUIPMENT COMES WITH A ONE  
YEAR WARRANTY ON COMPONENTS AND  
DEFECTIVE WORKMANSHIP.  
[www.anvilworld.com](http://www.anvilworld.com)

ANVIL



## DESCRIPTION

MODEL  
NUMBER OF PLATES  
POWER RATING (230V/50Hz)  
DIMENSIONS (mm) (W x D x H)  
BOX DIMNS (mm) (W x D x H)  
PACKED WEIGHT (kg)  
COMPLIES WITH SPEC

- Unit not available in 120V/60Hz configuration

## STOVE TOP DOUBLE

STA0002  
2  
1 x 2kW / 1 x 1.2kW  
580 x 508 x 225  
622 x 522 x 267  
12  
SABS IEC 60335

# Model: STA0002

NOTE: When viewing the appliance from the front in its usual operating position, the width (W) of the product is the total distance from left to right; the depth (D) of the product is the total distance from the front to the back; the height (H) is the total distance from the bottom of the product to the top.

 ANVIL

# AXIS

Note: Output performance figures quoted are dependant on various factors

Anvil reserves the right, without notice, to make changes and revisions to product specifications, materials and design, which in our opinion, will provide better performance, durability and efficiency.