



Soup Kettle Black

“This attractive Soup Kettle holds up to 10 litres of liquid. Simply plug it in and start serving. Excellent for cafeterias, dining rooms and food counters.”

Model: SKD0008

APPLICATION

- Keeps soups, porridges and sauces at the required temperature
- No installation; just plug in and start serving

CONSTRUCTION

- Unit is insulated to protect countertops and surrounding equipment from heat build up
- Interior liner is made from Stainless Steel for durability and ease of cleaning
- Outer lining is constructed from aluminium for maximum conductivity

HEATING

- Heating element is situated in the sides of the kettle to evenly distribute heat throughout the unit

NOTE

- Complies with all safety standards
- This unit is for warming only



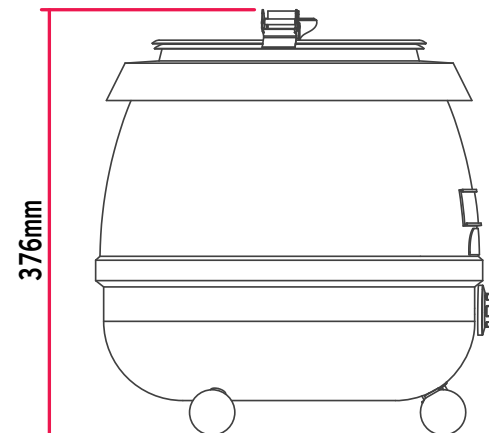
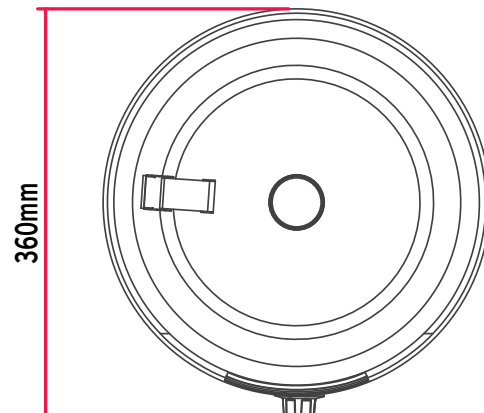
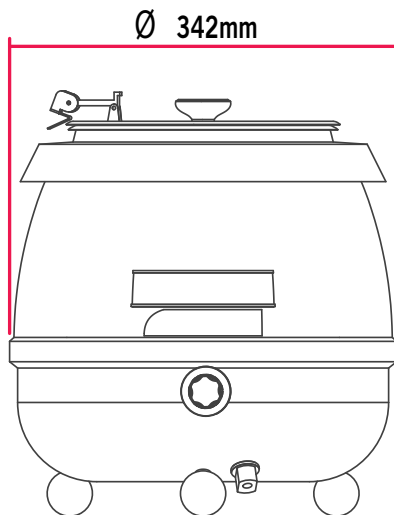
 ANVIL

AXIS



ALL ANVIL EQUIPMENT COMES WITH A ONE
YEAR WARRANTY ON COMPONENTS AND
DEFECTIVE WORKMANSHIP.
www.anvilworld.com

S
A
X



DESCRIPTION

MODEL
POWER RATING (230V/50Hz)
DIMENSIONS (mm) (W x D x H)
BOX DIMNS (mm) (W x D x H)
PACKED WEIGHT (kg)

- Unit available in 120V/60Hz configuration

SOUP KETTLE BLACK

SKD0008
0.85kW
342 x 360 x 376
360 x 360 x 400
7.7

Model: SKD0008

NOTE: When viewing the appliance from the front in its usual operating position, the width (W) of the product is the total distance from left to right; the depth (D) of the product is the total distance from the front to the back; the height (H) is the total distance from the bottom of the product to the top.

 ANVIL

AXIS

Note: Output performance figures quoted are dependant on various factors

Anvil reserves the right, without notice, to make changes and revisions to product specifications, materials and design, which in our opinion, will provide better performance, durability and efficiency.