



Display Merchandiser 1200mm

“Anvils Display Merchandisers are perfect to enhance your products in a point of sale position. They are designed to keep product at the correct temperature for holding and serving. The humidity tray ensures that the product does not dry out.”

Model: PWK0006

APPLICATION

- These units are ideal for take aways, bakeries and canteens
- Anvil Pie Warmers will attractively store your product after the baking process and display your products in a safe environment

CONSTRUCTION

- Supplied with three fully adjustable shelves
- Shelves can be sloped for display purposes
- Display lighting to enhance your product
- Attractive two-tone colour
- Sliding toughened glass windows front and rear with nylon slides
- Windows fitted with attractive handle and heat seal
- Lockable option in front and rear window
- Humidity pan for keeping product moist

HEATING

- Specially designed heat baffle to ensure even temperature distribution
- Thermostatically controlled heater temperature range 50°C to 90°C
- Front mounted temperature indicating gauge

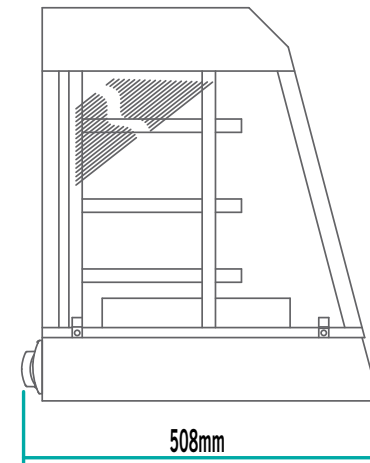
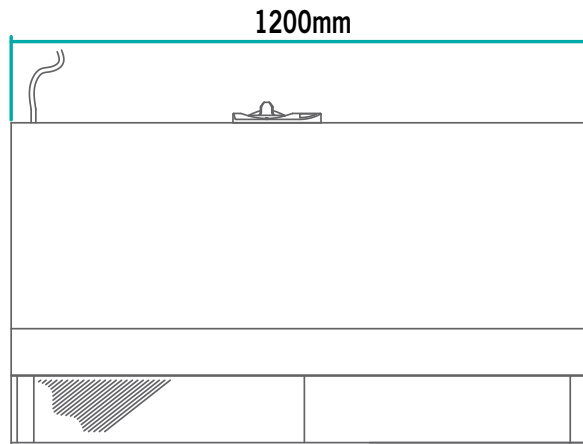
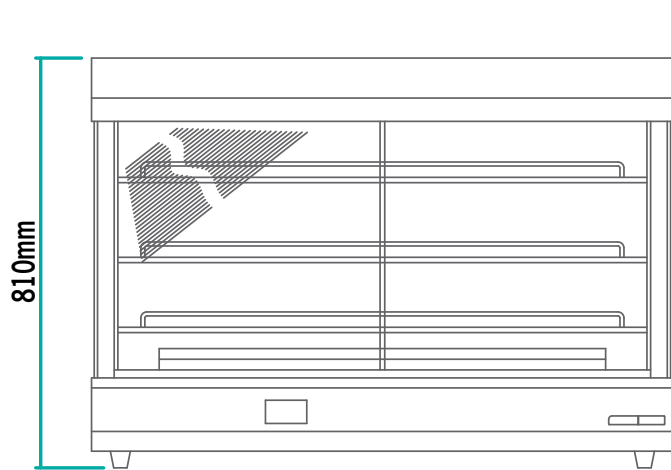


 ANVIL

AIRE



ALL ANVIL EQUIPMENT COMES WITH A ONE
YEAR WARRANTY ON COMPONENTS AND
DEFECTIVE WORKMANSHIP.
www.anvilworld.com



DESCRIPTION

MODEL
 POWER RATING (230V/50Hz)
 DIMENSIONS (mm) (W x D x H)
 BOX DIMNS (mm) (W x D x H)
 PACKED WEIGHT (kg)

- Unit available in 120V/60Hz configuration

DELUXE PIE WARMER 1200mm

PWK0006
 1.8kW
 1200 x 508 x 810
 1275x 583 x 885
 50

Model: PWK0006

NOTE: When viewing the appliance from the front in it's usual operating position, the width (W) of the product is the total distance from left to right; the depth (D) of the product is the total distance from the front to the back; the height (H) is the total distance from the bottom of the product to the top.

 ANVIL

AIRE

Note: Output performance figures quoted are dependant on various factors

Anvil reserves the right, without notice, to make changes and revisions to product specifications, materials and design, which in our opinion, will provide better performance, durability and efficiency.