



Catalogue :

SERIE 900 KORE

Chapter :

BOILING PANS 900 KORE

Article :

M-E910BM 380...415V 3N 50/60Hz

Code:

19029997

<u>DIMENSIONS AND WEIGHTS</u>		<u>Net dimensions</u>	<u>Packed</u>
Length	mm	800,00	1.080,00
Depth	mm	930,00	840,00
Height	mm	850,00	1.265,00
Weight	kg	118,00	136,00
Volume	m3	0,69	1,15

<u>ELECTRICITY</u>		<u>50/60Hz</u>	
Power	380...415V		22,00 kW
Connections	230 V. I+N+T	2X2,5 + T	
	230 V. III+T		
	400 V. III+N+T	4X6MM2+T	

GAS Not necessary

WATER
Pressure **Water Pres:200-400kPa(2-4bar)**

STEAM Not necessary

AIR Not necessary

DESCRIPTION

ELECTRIC BOILING PAN INDIRECT HEAT, AUTOMATIC REFILL, M-E910 BM
Boiling pans are ideal to cook, simmer or stew different types of food in large quantities and volume.
Indirect heat boiling pans or bain marie pans are specially suitable to simmer, poach or braise products that do not require continuous stirring or a high cooking temperature.
2 mm stainless AISI-304 steel top with rounded edges for easy cleaning. Laser cut and automatic welding for a perfect adjustment of sides between modules with square angle finish.
The pan is integrated in the top by robotic welding. It is made of AISI-304 stainless steel and the bottom is made of stainless steel AISI-316L. Side walls with satin polished, for easy cleaning.
100 litre capacity model.
Indirect gas heating by means of bain marie jacket around the pan. Heating by shielded electrical resistances under the bain marie chamber.
"The water in the jacket is heated and the saturated steam produced at 107 °C evenly heats the bottom and side walls of the pan."
" Heating control by means of power regulator and pressure switch. Bain marie jacket with automatic refill system.
Four safety systems for automatic jacket level control:
_pressure switch for jacket pressure control
_overpressure safety valve
_jacket thermostat to prevent overheating
_top embedded pressure gauge
The pan can be filled with cold or warm water by means of electro valves activated by a single switch at the front panel.
2" pan discharge safety tap with thermal insulator handle easy to operate without any effort.
Easy to remove, robust and reliable AISI-304 stainless steel discharge filter.
Double side lid, balance by hinge and front handle for diagonal opening at 75° that allows the lid to remain open at any position.
Perfect adjustment of the lid to reduce cooking time and save energy.
Led indicator for connected and working equipment.
Water-tight and protecting-support controls.
High temperature protector for the chimney made of enamelled cast iron.
Front access to components.
According to European standards for components and panels temperature, efficiencies and combustion, and sanitary regulations (EN-60335 and EN-203)
IPX5 grade water protection equipment.
Maximum power: 22.0 kW
Dimensions: 800 x 930 x 850 mm.

SOUND LEVEL < **65,00 db**

<u>INSTALLATION - CONNECTIONS</u>		<u>Ø</u>
▶	ELECTRICITY	SI
▶	HOT WATER	"1/2""
▶	COLD WATER	"1/2""





Catalogue :
SERIE 900 KORE

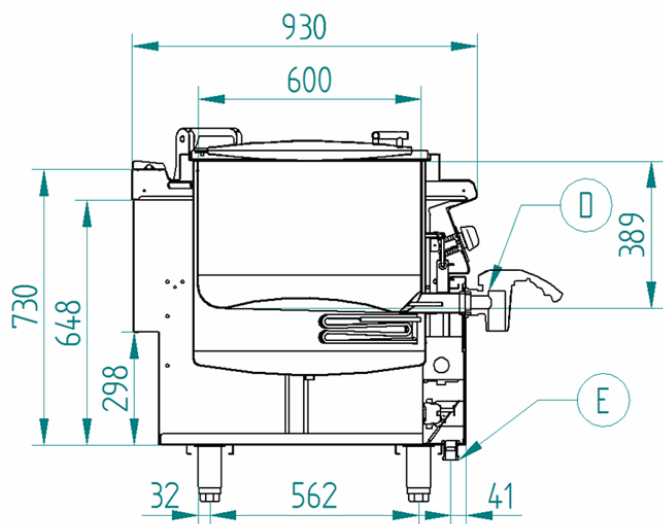
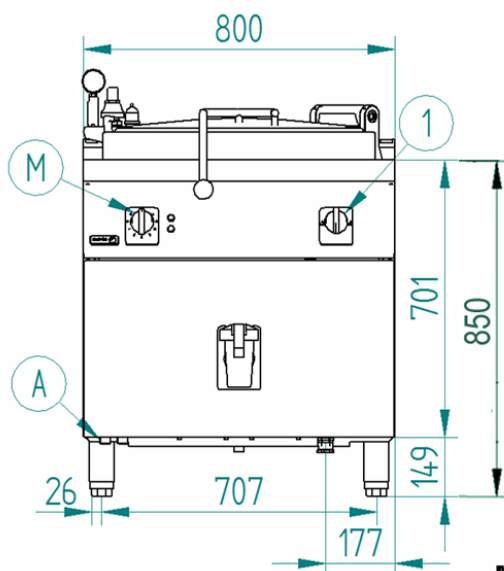
Chapter :
BOILING PANS 900 KORE

Article :
M-E910BM 380...415V 3N 50/60Hz

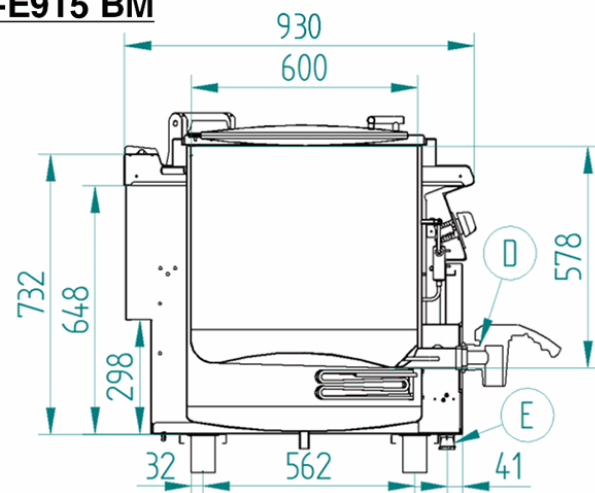
Code :
19029997

SCHEMA - DIMENSIONS

M-E910 BM



M-E915 BM



- | | |
|------------------------|-----------------------|
| M – Mando eléctrico | Electric control |
| E – Conexión eléctrica | Electrical connection |
| D – Desagüe | Drainage |
| 1 – Mando agua | Water control |