



Hot Plate 2 Burner Gas

“Anvil’s Gas Hot Plates provide a simple and effective way to prepare food with high efficiency in an economical, safe and easy way.”

Model: HPA0002

APPLICATION

- Ideal for use in steak houses, restaurants, coffee shops, clubs and pubs
- Completely portable and easy to transport

CONSTRUCTION

- Made from Stainless and Aluminised Steel
- 2 x 26 000 BTU burners
- Heavy duty cast iron grates designed to distribute heavy loads and ensure fast even heating
- Full width Stainless Steel drip pan
- Heavy duty brass gas control valves

HEATING

- Heavy duty cast iron burners for superior heat distribution

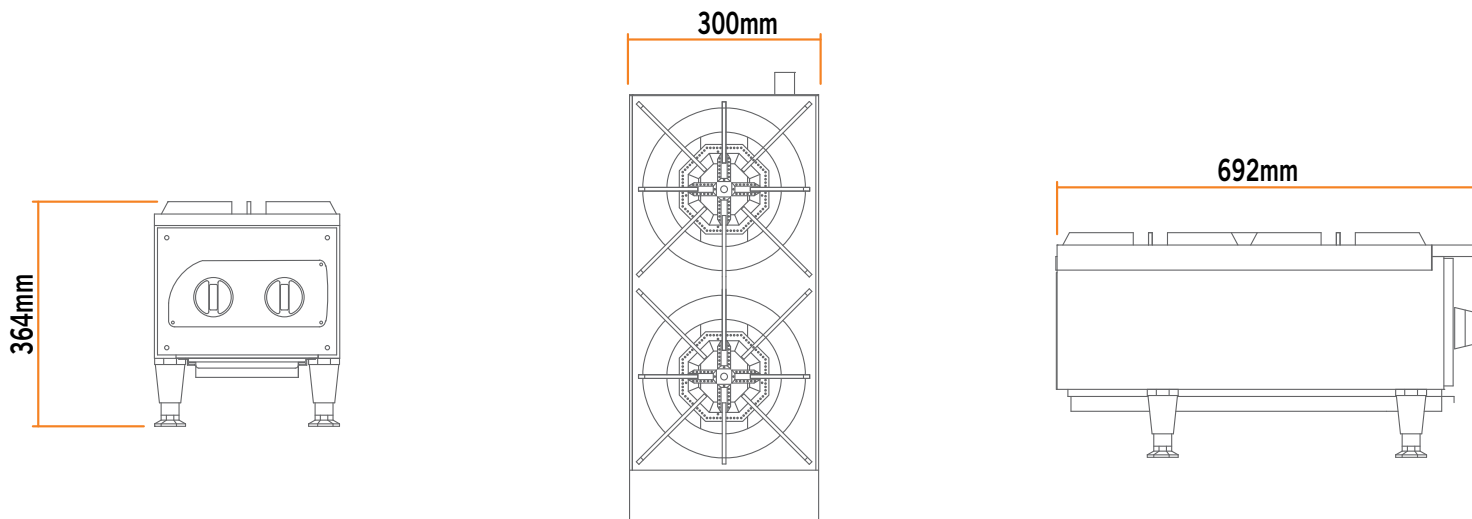


 ANVIL

APEX



ALL ANVIL EQUIPMENT COMES WITH A ONE
YEAR WARRANTY ON COMPONENTS AND
DEFECTIVE WORKMANSHIP.
www.anvilworld.com



DESCRIPTION

MODEL
 OUTPUT (BTU)
 DIMENSIONS (mm) (W x D x H)
 BOX DIMNS (mm) (W x D x H)
 PACKED WEIGHT (kg)
 SUPPLIED WITH REGULATOR
 GAS

- Suitable for conversion to natural gas by a certified professional

2 BURNER GAS HOT PLATE

HPA0002
 52 000
 300 x 692 x 364
 345 x 715 x 508
 52
 NO
 LPG

Model: STG0002

NOTE: When viewing the appliance from the front in its usual operating position, the width (W) of the product is the total distance from left to right; the depth (D) of the product is the total distance from the front to the back; the height (H) is the total distance from the bottom of the product to the top.

 ANVIL

APEX

Note: Output performance figures quoted are dependant on various factors

Anvil reserves the right, without notice, to make changes and revisions to product specifications, materials and design, which in our opinion, will provide better performance, durability and efficiency.