



Hot Dog Roller 5 Roller

“Anvil’s Hot Dog Roller is Perfect for grilling and warming of sausages”

Model: HDR0005

APPLICATION

- Ideal for cafes, take-aways and outside catering

CONSTRUCTION

- Dual control for front and rear rollers
- Fitted with a removable fat tray for easy cleaning

HEATING

- Variable heat control for easy grilling of sausages



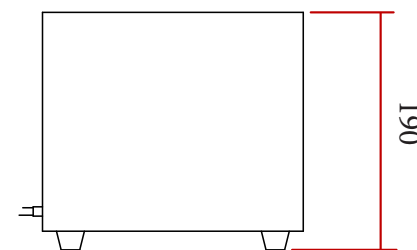
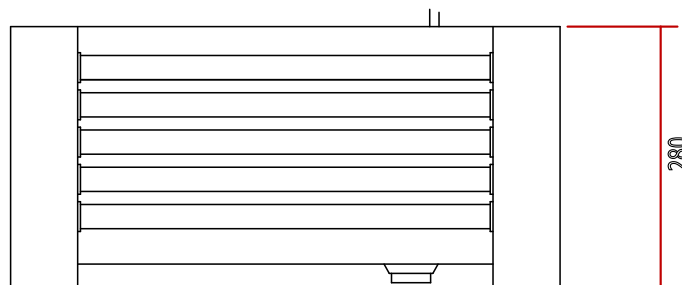
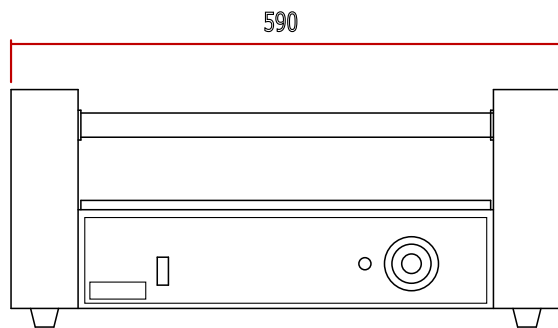
 **ANVIL**

AXIS



ALL ANVIL EQUIPMENT COMES WITH A ONE
YEAR WARRANTY ON COMPONENTS AND
DEFECTIVE WORKMANSHIP.
www.anvilworld.com

S
A
X
I
S



DESCRIPTION

MODEL
 POWER RATING (230V/50Hz)
 DIMENSIONS (mm) (W x D x H)
 BOX DIMNS (mm) (W x D x H)
 PACKED WEIGHT (kg)
 COMPLIES WITH SPEC

- Unit available in 120V/60Hz configuration

HOT DOG ROLLER

HDR0005
 0.4kW
 580 x 280 x 190
 600 x 300 x 210
 11
 SABS IEC 60335

Model: HDR0005

NOTE: When viewing the appliance from the front in its usual operating position, the width (W) of the product is the total distance from left to right; the depth (D) of the product is the total distance from the front to the back; the height (H) is the total distance from the bottom of the product to the top.

 ANVIL

AXIS

Note: Output performance figures quoted are dependant on various factors

Anvil reserves the right, without notice, to make changes and revisions to product specifications, materials and design, which in our opinion, will provide better performance, durability and efficiency.



Hot Dog Roller 7 Roller

“Anvil’s Hot Dog Roller is Perfect for grilling and warming of sausages”

Model: HDR0007

APPLICATION

- Ideal for cafes, take-aways and outside catering

CONSTRUCTION

- Dual control, allowing front 3 or 4 back rollers to be used independently
- Fitted with a removable fat tray for easy cleaning

HEATING

- Variable heat control for easy grilling of sausages



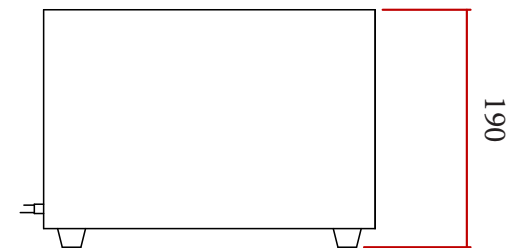
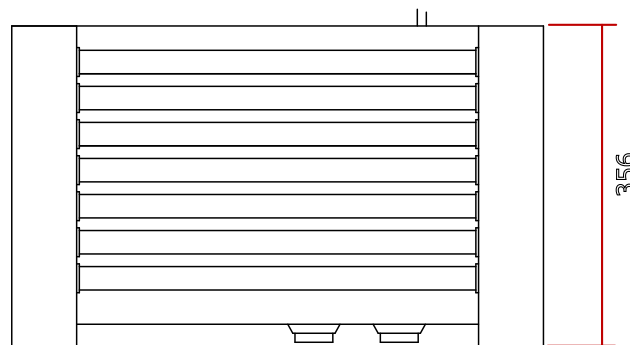
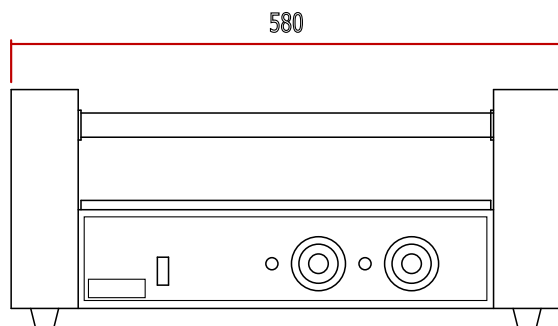
 ANVIL

AXIS



ALL ANVIL EQUIPMENT COMES WITH A ONE
YEAR WARRANTY ON COMPONENTS AND
DEFECTIVE WORKMANSHIP.
www.anvilworld.com

S
A
X
I
S



DESCRIPTION

MODEL
 POWER RATING (230V/50Hz)
 DIMENSIONS (mm) (W x D x H)
 BOX DIMNS (mm) (W x D x H)
 PACKED WEIGHT (kg)
 COMPLIES WITH SPEC

- Unit available in 120V/60Hz configuration

HOT DOG ROLLER

HDR0007
 0.56kW
 580 x 340 x 190
 600 x 380 x 280
 14
 SABS IEC 60335

Model: HDR0007

NOTE: When viewing the appliance from the front in it's usual operating position, the width (W) of the product is the total distance from left to right; the depth (D) of the product is the total distance from the front to the back; the height (H) is the total distance from the bottom of the product to the top.

 ANVIL

AXIS

Note: Output performance figures quoted are dependant on various factors

Anvil reserves the right, without notice, to make changes and revisions to product specifications, materials and design, which in our opinion, will provide better performance, durability and efficiency.



Hot Dog Roller 9 Roller

“Anvil’s Hot Dog Roller is Perfect for grilling and warming of sausages”

Model: HDR0009

APPLICATION

- Ideal for cafes, take-aways and outside catering

CONSTRUCTION

- Dual control, allowing front 4 or 5 back rollers to be used independently
- Fitted with a removable fat tray for easy cleaning

HEATING

- Variable heat control for easy grilling of sausages



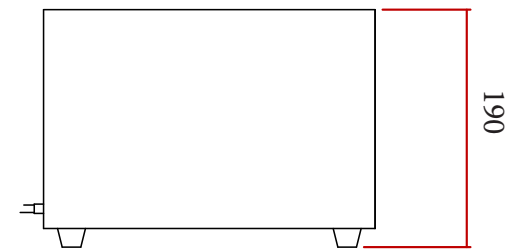
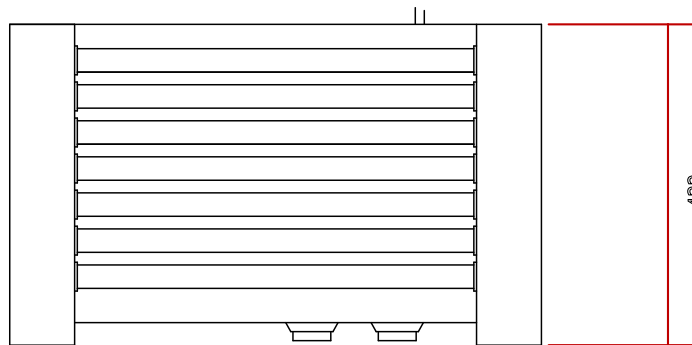
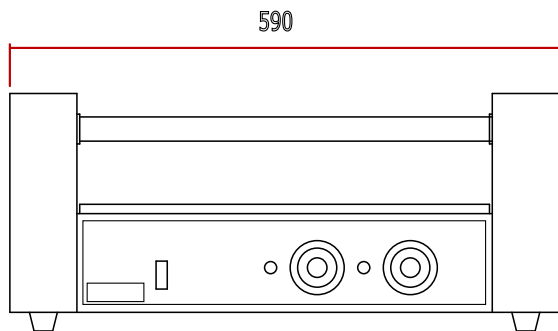
 **ANVIL**

AXIS



ALL ANVIL EQUIPMENT COMES WITH A ONE
YEAR WARRANTY ON COMPONENTS AND
DEFECTIVE WORKMANSHIP.
www.anvilworld.com

S
A
X
I
S



DESCRIPTION

MODEL
 POWER RATING (230V/50Hz)
 DIMENSIONS (mm) (W x D x H)
 BOX DIMNS (mm) (W x D x H)
 PACKED WEIGHT (kg)
 COMPLIES WITH SPEC

- Unit available in 120V/60Hz configuration

HOT DOG ROLLER

HDR0009
 0.72kW
 580 x 420 x 190
 600 x 450 x 280
 16
 SABS IEC 60335

Model: HDR0009

NOTE: When viewing the appliance from the front in it's usual operating position, the width (W) of the product is the total distance from left to right; the depth (D) of the product is the total distance from the front to the back; the height (H) is the total distance from the bottom of the product to the top.

 ANVIL

AXIS

Note: Output performance figures quoted are dependant on various factors

Anvil reserves the right, without notice, to make changes and revisions to product specifications, materials and design, which in our opinion, will provide better performance, durability and efficiency.



Hot Dog Roller 11 Roller

“Anvil’s Hot Dog Roller is Perfect for grilling and warming of sausages”

Model: HDR001 1

APPLICATION

- Ideal for cafes, take-aways and outside catering

CONSTRUCTION

- Dual control, allowing front 5 or 6 back rollers to be used independently
- Fitted with a removable fat tray for easy cleaning

HEATING

- Variable heat control for easy grilling of sausages



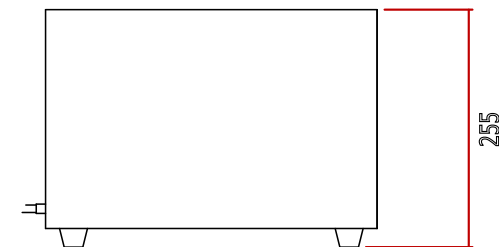
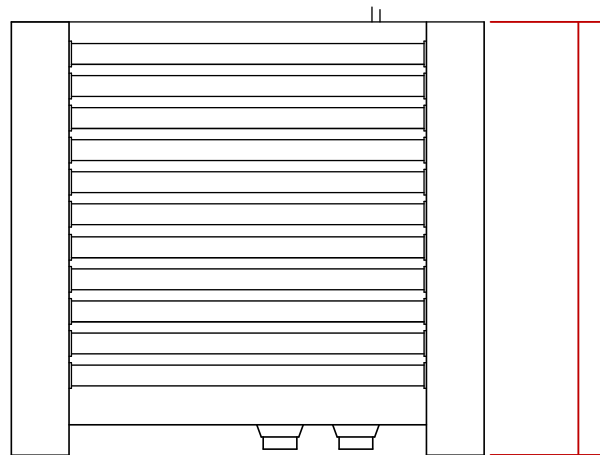
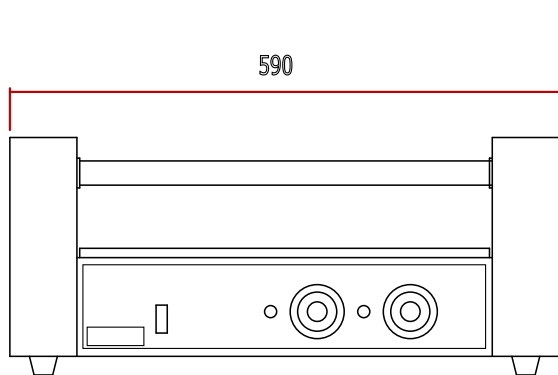
 ANVIL

AXIS



ALL ANVIL EQUIPMENT COMES WITH A ONE
YEAR WARRANTY ON COMPONENTS AND
DEFECTIVE WORKMANSHIP.
www.anvilworld.com

S
A
X
I
S



DESCRIPTION

MODEL
 POWER RATING (230V/50Hz)
 DIMENSIONS (mm) (W x D x H)
 BOX DIMNS (mm) (W x D x H)
 PACKED WEIGHT (kg)
 COMPLIES WITH SPEC

- Unit available in 120V/60Hz configuration

HOT DOG ROLLER

HDR0011
 0.88kW
 590 x 480 x 255
 600 x 500 x 280
 18
 SABS IEC 60335

Model: HDR0011

NOTE: When viewing the appliance from the front in its usual operating position, the width (W) of the product is the total distance from left to right; the depth (D) of the product is the total distance from the front to the back; the height (H) is the total distance from the bottom of the product to the top.



AXIS

Note: Output performance figures quoted are dependant on various factors

Anvil reserves the right, without notice, to make changes and revisions to product specifications, materials and design, which in our opinion, will provide better performance, durability and efficiency.