



## Griller Radiant Freestanding Gas

*“The 4 Radiant is suitable for many kitchen and cooking applications. The robust construction coupled with gas as an energy source ensure that the unit is ideal for use in remote places without access to electricity.”*

**Model: GGA3004**

### APPLICATION

- This Griller is ideal for use by restaurants, confectionaries, coffee shops and caterers

### CONSTRUCTION

- Powerful efficient burners
- Quality gas valves
- Robust modular construction
- Stainless steel splash guard fitted as standard
- Can be used as a table top unit
- Supplied flat packed



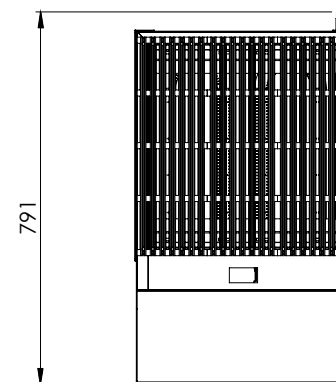
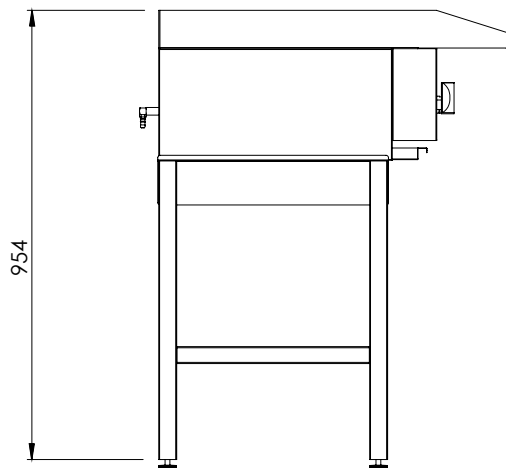
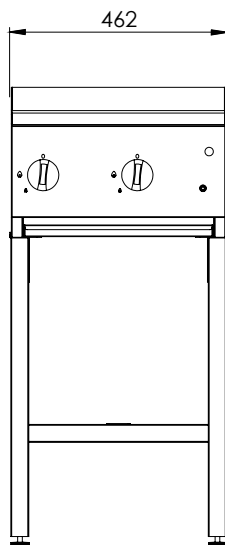
 **ANVIL**

# AXIS



ALL ANVIL EQUIPMENT COMES WITH A ONE  
YEAR WARRANTY ON COMPONENTS AND  
DEFECTIVE WORKMANSHIP.  
[www.anvilworld.com](http://www.anvilworld.com)

S  
A  
X  
I  
S



AXIS

## DESCRIPTION

MODEL  
TOTAL BTU  
DIMENSIONS (mm) (W x D x H)  
BOX DIMMS (mm) (W x D x H)  
PACKED WEIGHT (kg)  
SUPPLIED WITH REGULATOR  
GAS

- Suitable for conversion to natural gas by a certified gas installer

## GRILLER 4 RADIANT

GGA3004  
56 000  
460 x791 x 954  
512 x 820 x 420  
60  
YES  
LPG

## Model: GGA3004

NOTE: When viewing the appliance from the front in it's usual operating position, the width (W) of the product is the total distance from left to right; the depth (D) of the product is the total distance from the front to the back; the height (H) is the total distance from the bottom of the product to the top.

 ANVIL

# AXIS

Note: Output performance figures quoted are dependant on various factors

Anvil reserves the right, without notice, to make changes and revisions to product specifications, materials and design, which in our opinion, will provide better performance, durability and efficiency.