



Egg Griddle 400mm

"Anvil's Egg Griddles serve up the best eggs in an oil bath. They are ideal for breakfast-eggs."

Model: FTA4400

APPLICATION

- Ideal for use in steak houses, restaurants, coffee shops, clubs and pubs
- Portable and compact for outside caterers
- Perfect for fried eggs

CONSTRUCTION

- Heavy duty 10mm cooking surface for high heat retention
- Valve for easy draining of oil
- Splashback prevents undue grease spattering

HEATING

- Rapidly heats up to optimum cooking temperature
- Thermostatically controlled up to a max of 200°C
- Element design ensures even heating over entire cooking surface



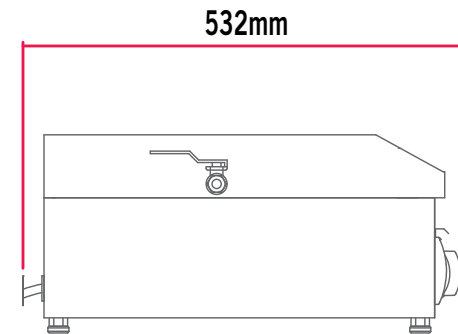
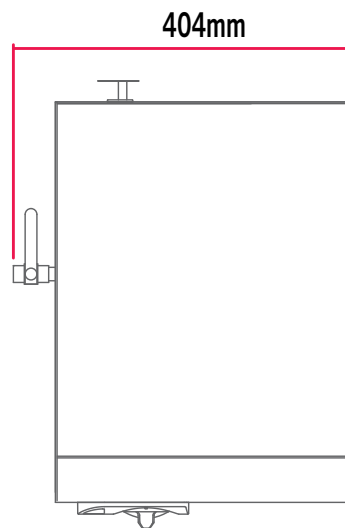
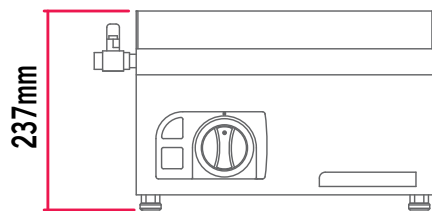
 ANVIL

AXIS



ALL ANVIL EQUIPMENT COMES WITH A ONE
YEAR WARRANTY ON COMPONENTS AND
DEFECTIVE WORKMANSHIP.
www.anvilworld.com

S
A
X



DESCRIPTION

MODEL
POWER RATING (230V/50Hz)
DIMENSIONS (mm) (W x D x H)
BOX DIMNS (mm) (W x D x H)
PACKED WEIGHT (kg)
COMPLIES WITH SPEC

- Unit available in 120V/60Hz configuration

EGG GRIDDLE

FTA4400
2kW
404 x 532 x 237
460 x 590 x 350
25
SABS IEC 60335

Model: FTA4400

NOTE: When viewing the appliance from the front in its usual operating position, the width (W) of the product is the total distance from left to right; the depth (D) of the product is the total distance from the front to the back; the height (H) is the total distance from the bottom of the product to the top.

 ANVIL

AXIS

Note: Output performance figures quoted are dependant on various factors

Anvil reserves the right, without notice, to make changes and revisions to product specifications, materials and design, which in our opinion, will provide better performance, durability and efficiency.