



Dishwashing

EVO Generation - Concept

HOOD TYPE DISHWASHER CO-170

DIMENSIONS

		Article	Packed
Length	mm	665,00	870,00
Depth	mm	775,00	950,00
Height	mm	1.540,00	1.750,00
Weigth	Kg	135,00	150,00
Volumen	m3		1,45

ELECTRICITY

<u>Electric power</u>		KW	17,70
230V -1+N		2x25+T - 100 A	
230V - III		3x10+T - 63 A	
400V - III+N		4x4+T -32 A	

WATER

Water consumption (lit/h)			144,00
Pressure (Kg/cm2)			2 ÷ 4

GAS

Not used

STEAM

Not used

AIR

Not used

LEVEL SOUND

(dB) 65,00

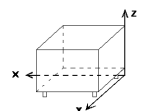
DISHWASHER CO-170

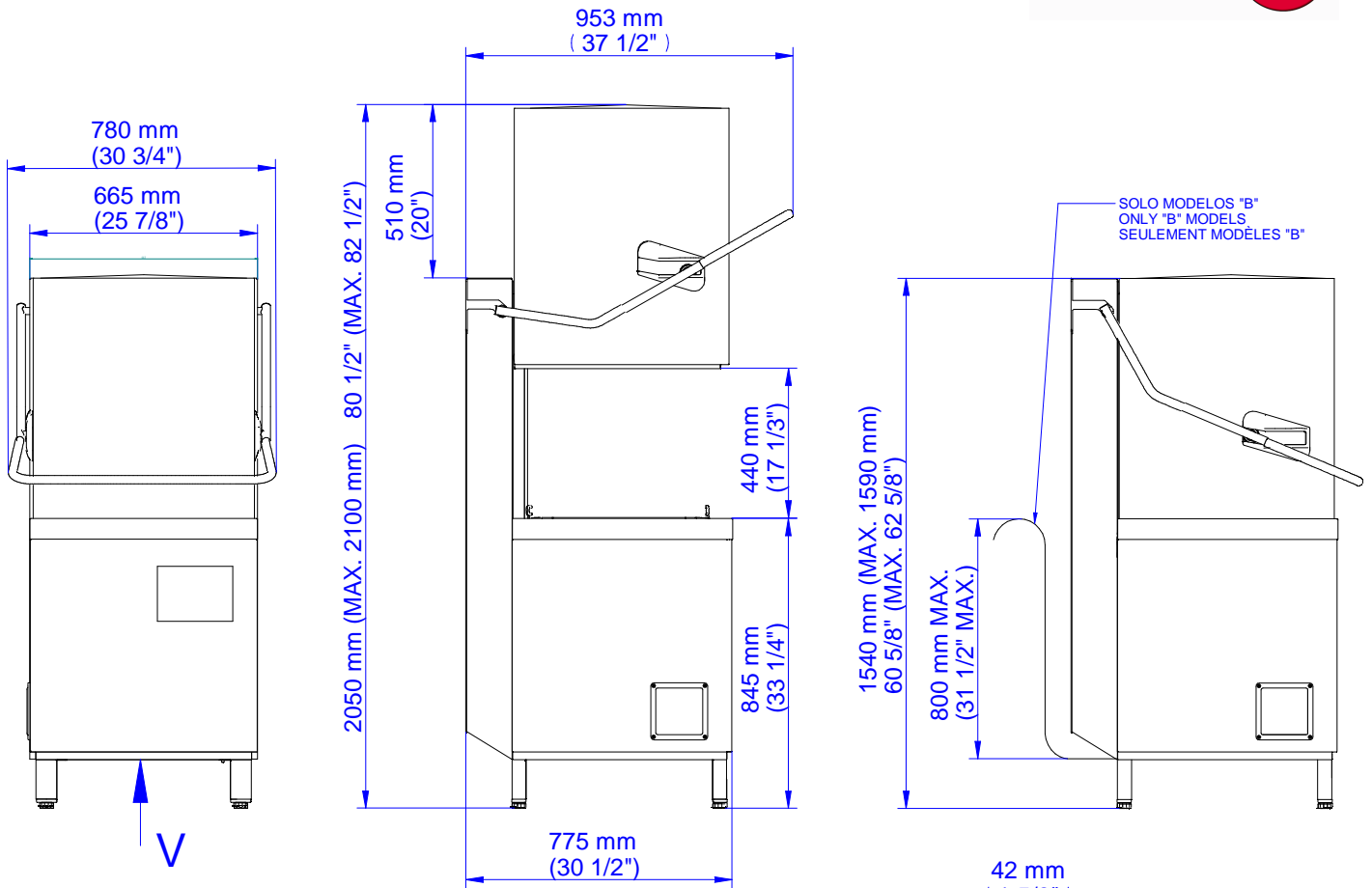
Hood type dishwasher - EVO Generation - Concept range.
Hourly production: 65 baskets/hour - 1170 dishes/hour.
Clearance (max ware height): 440 mm.
Wash cycles: 55" - 75" - 120".

Made of stainless steel.
Counterbalanced hood.
Double rotating wash and rinse systems, made of AISI-304 stainless steel.
Tray filters on the tank, made of AISI-304 stainless steel.
Two wash pumps, 600 W each.
Tank with 4.5 kW heating power.
Tank capacity: 34 litres.
Boiler heating power: 12 kW.
Boiler capacity: 9 litres.
Water consumption: 2.4 litres/rinse.
Thermostatic temperature control: washing at 60°C and rinsing at 90°C.
Safety thermostats.
Built-in automatic rinse dispenser.
Built-in non-return valve.
Safety magnetic switch for hood opening.
Adjustable legs.
Water protection rating: IPX4
Total power: 17,70 kW.
Dimensions: 665 x 775 x 1540 mm (2050 mm open hood).

Baskets equipment: 1 x CT-10, 1 x CP-16/18 and 8 cutlery containers.

Connections points	X	Y	Z	Diameter	Information
ELECTRICITY	210	50	65		
SOFT COLD WATER	305	50	65	3/4"	
DRAIN	370	50	65	30 x 25	





SOLO MODELOS "B"
ONLY "B" MODELS
SEULEMENT MODÈLES "B"

- A: ENTRADA DE AGUA
- E: ALIMENTACIÓN ELÉCTRICA
- D: DESAGÜE

- A: WATER INLET
- E: ELECTRICAL CONNECTION
- D: DRAIN

- A: ARRIVÉE D'EAU
- E: CONNEXION ÉLECTRIQUE
- D: VIDANGE

V

