



# Chicken Griller 16 Bird

*"Anvil's Rotisserie produces 16 delicious chickens at a time. This unit is perfect for small supermarkets selling rotisserie style grilled chickens."*



 **ANVIL**

# APEX

## Model: CGA0016

### APPLICATION

- Ideal for use in restaurants, take aways, canteens, small supermarkets etc.

### CONSTRUCTION

- Full Stainless Steel construction with Chrome plated wire baskets and full removable drip tray for ease of cleaning
- A timer is fitted for controlled operation. A bypass function is provided on the timer for continuous use
- Glass front and rear makes this a good point of sale unit as the customer can see the product at all times
- Internal light to enhance the view of the chickens at all times

### HEATING

- Thermostatically controlled
- Unique heating system ensures uniform temperature distribution



ALL ANVIL EQUIPMENT COMES WITH A ONE  
YEAR WARRANTY ON COMPONENTS AND  
DEFECTIVE WORKMANSHIP.  
[www.anvilworld.com](http://www.anvilworld.com)

APEX



 **ANVIL**

**APEX**



ALL ANVIL EQUIPMENT COMES WITH A ONE  
YEAR WARRANTY ON COMPONENTS AND  
DEFECTIVE WORKMANSHIP.  
[www.anvilworld.com](http://www.anvilworld.com)

APEX



 **ANVIL**

**APEX**



ALL ANVIL EQUIPMENT COMES WITH A ONE  
YEAR WARRANTY ON COMPONENTS AND  
DEFECTIVE WORKMANSHIP.  
[www.anvilworld.com](http://www.anvilworld.com)

APEX

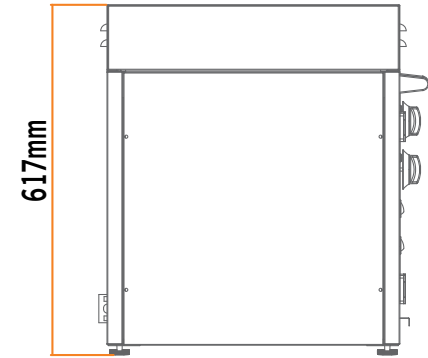
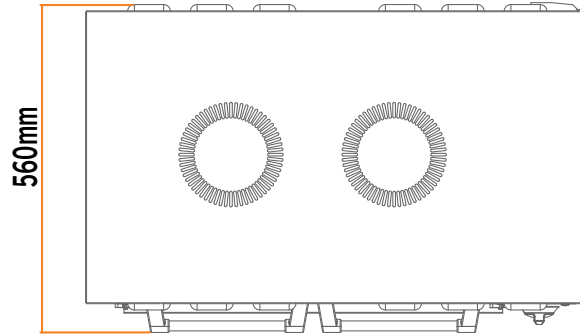
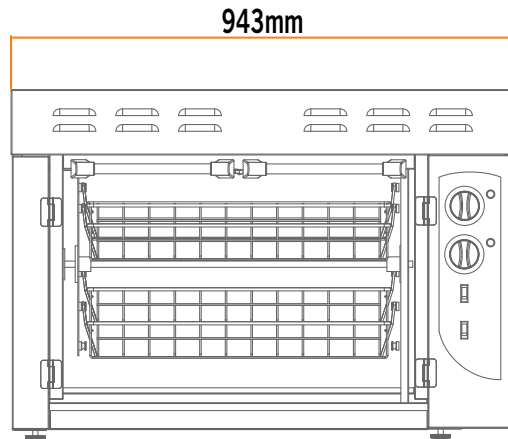


 **ANVIL**

**APEX**



ALL ANVIL EQUIPMENT COMES WITH A ONE  
YEAR WARRANTY ON COMPONENTS AND  
DEFECTIVE WORKMANSHIP.  
[www.anvilworld.com](http://www.anvilworld.com)



## DESCRIPTION

MODEL  
 POWER RATING (230V 2P N~/50Hz)  
 DIMENSIONS (mm) (W x D x H)  
 BOX DIMNS (mm) (W x D x H)  
 PACKED WEIGHT (kg)

- Unit not available in 120/60Hz conversion

## 16 BIRD CHICKEN GRILLER

CGA0016  
 5kW  
 943 x 560 x 617  
 1069 x 689 x 759  
 52

**Model: CGA0016**

NOTE: When viewing the appliance from the front in its usual operating position, the width (W) of the product is the total distance from left to right; the depth (D) of the product is the total distance from the front to the back; the height (H) is the total distance from the bottom of the product to the top.

 ANVIL

**APEX**

Note: Output performance figures quoted are dependant on various factors

Anvil reserves the right, without notice, to make changes and revisions to product specifications, materials and design, which in our opinion, will provide better performance, durability and efficiency.