



## Griddle Flat Top 1500mm Gas

*“Anvil’s Flat Top Gas Griddle provides a simple and effective way to prepare food with that delicious restaurant flavour in an economical, safe and hassle free way.”*

### Model: CBF1500

#### APPLICATION

- Ideal for use in steak houses, restaurants, coffee shops, clubs and pubs

#### CONSTRUCTION

- Made from Stainless Steel and Aluminised Steel with a fully welded construction
- 5 x 28 000 BTU burners
- Heavy duty 16mm griddle plate for effective heat distribution
- Heavy duty brass gas control valves
- Piezzo ignitor for safe and easy ignition
- Automatic flame failure device shuts off gas in the event of flame going out
- Polished cooking surface for easy cleaning

#### HEATING

- Superior burners allow for fast recovery and improved heat distribution

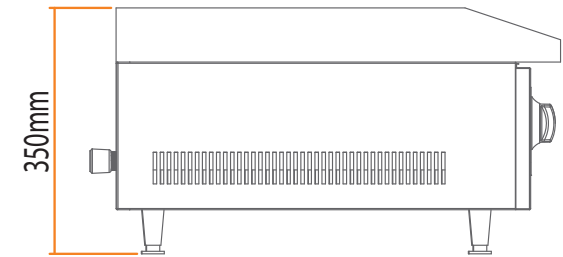
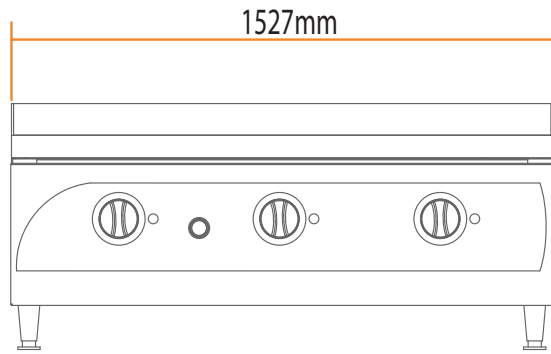


 ANVIL

**APEX**



ALL ANVIL EQUIPMENT COMES WITH A ONE  
YEAR WARRANTY ON COMPONENTS AND  
DEFECTIVE WORKMANSHIP.  
[www.anvilworld.com](http://www.anvilworld.com)



## DESCRIPTION

MODEL  
 OUTPUT(BTU)  
 DIMENSIONS (mm) (W x D x H)  
 BOX DIMNS (mm) (W x D x H)  
 PACKED WEIGHT (kg)  
 SUPPLIED WITH REGULATOR  
 GAS

- Suitable for conversion to natural gas by a certified gas installer

## FLAT TOP GAS GRIDDLE 1200mm

**CBF1500**  
 140 000  
 1527 x 675 x 350  
 1577 x 730 x 490  
 220  
 NO  
 LPG

# Model: CBF1500

NOTE: When viewing the appliance from the front in it's usual operating position, the width (W) of the product is the total distance from left to right; the depth (D) of the product is the total distance from the front to the back; the height (H) is the total distance from the bottom of the product to the top.

 ANVIL

# APEX

Note: Output performance figures quoted are dependant on various factors

Anvil reserves the right, without notice, to make changes and revisions to product specifications, materials and design, which in our opinion, will provide better performance, durability and efficiency.