



Catalogue :

SERIE 900 KORE

Chapter :

RANGES 900 KORE

Article :

C-E941 380...415V 3N

Code:

19013380

<u>DIMENSIONS AND WEIGHTS</u>		<u>Net dimensions</u>	<u>Packed</u>
Length	mm	800,00	1.022,00
Depth	mm	930,00	840,00
Height	mm	850,00	1.125,00
Weight	kg	150,00	172,00
Volume	m3	0,65	0,97

<u>ELECTRICITY</u>		<u>50/60Hz</u>	
	380...415V		
	Power		22,00 kW
Connections	230 V. 1+N+T	NO	
	230 V. III+T	3X1,5+T-10A	
	400 V. III+N+T	4X6MM2+T	

GAS Not necessary

WATER Not necessary

STEAM Not necessary

AIR Not necessary

DESCRIPTION

4-HOT PLATES ELECTRIC RANGE ON OVEN, C-E941

Electric top plates are adequate for a variety of containers such as pans, saucepans, etc.

Depending on the container, you may stew, boil, make soup, legumes, scrambled eggs, fried dishes...

2 mm stainless AISI-304 steel embedded top with rounded edges for easy cleaning.

Laser cut and automatic welding for a perfect side to side adjustment of modules with square angle finish.

4 kW power 300 x 300 mm cast iron heating plates tight adjusted to the embedded top stove.

Number of plates: 4.

Power adjustment by 7-position knob. Independent safety thermostat for each plate.

Inner fan to reduce the temperature of the components.

GN-2/1 OVEN

Easy to use GN 2/1 size oven, with controls at the top.

Fully stainless steel cooking chamber, for easy cleaning and higher hygienic standards.

Wide side insertion tray for an enhance manoeuvrability.

Three level guides to provide different working options.

Thermostatic valve for temperature control (125 - 310°C).

Heated by shielded stainless steel electrical resistances with a top or lower zone selector.

Total heating power: 6 kW

6 mm thick cast iron bottom to ensure a better performance and an even distribution of heat.

Fibreglass seal for an enhance thermal efficiency of the oven.

Removable door for easy maintenance.

Water-tight and protecting-support controls.

High temperature protector for the chimney made of enamelled cast iron.

Front access to components.

According to European standards for components and panels temperature, efficiencies and combustion, and sanitary regulations (EN-60335 and EN-203)

IPX5 grade water protection equipment.

Maximum power: 22.0 kW

Dimensions: 800 x 930 x 850 mm.

SOUND LEVEL < **65,00** db

INSTALLATION - CONNECTIONS

► ELECTRICITY SI Ø





Catalogue :

SERIE 900 KORE

Chapter :

RANGES 900 KORE

Article :

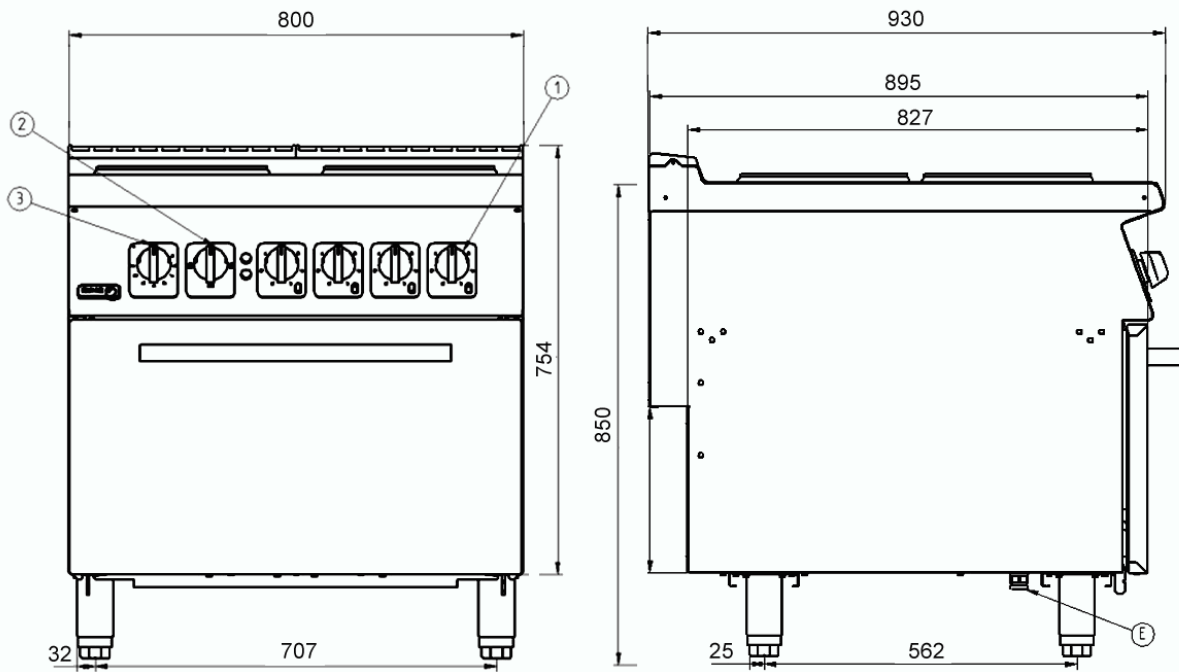
C-E941 380...415V 3N

Code :

19013380

SCHEMA - DIMENSIONS

C-E941 / C-E911



- E. Conexión eléctrica
- 1. Mando placas M
- 2. Mando horno 1
- 3. Mando horno 2

- Electrical connection
- M plates control
- Oven control 1
- Oven control 2