



Ovens

ADVANCE PLUS ovens

GAS ADVANCE PLUS OVEN, APG-202

19010040

DIMENSIONS		<u>Article</u>	<u>Packed</u>
Length	mm	1.162,00	1.200,00
Depth	mm	1.074,00	1.200,00
Height	mm	1.841,00	2.000,00
Weigth	Kg	405,00	430,00
Volumen	m3	2,30	2,88
ELECTRICITY			
<u>Electric power</u>	KW		2,40
230V -1+N		2x1,5+T - 10 A	
230V - III			
400V - III+N			
PLUMBING - WATER			
Water consumption (lit/h)			30,00
Pressure (Kg/cm2)			2 - 4
GAS			
Power	KW		65,00
	Kcal/h		55.900,00
LPG	Consumption (kg/h)		3,50
	Pressure (g/cm2)		37,00
Natural Gas	Consumption (m3/h)		5,00
	Pressure (g/cm2)		18,00
STEAM	Not used		
AIR	Not used		
LEVEL SOUND	(dB)		62,00
Certificate EQNET- CE			99BL580

GAS ADVANCE PLUS OVEN, APG-202

High quality, fast cooking :
 - Professional quality and perfect results
 - Easy to use and efficient

Capacity for 40 1/1-GN trays or 20 GN-2/1 trays.
 Stainless steel burner with electronic control system with sparking plug ignition.

Frequency modulation for the convection burner.
 "Touch control" screen.

4 cooking methods: Steam, Adjustable Steam (Humidity control during cooking), Regeneration and Convection (up to 300°C).
 Preheating option.

Fagor Easy cooking mode.

Fagor Cooking, range of cooking programmes.

Fagor Multi-Tray System, control cooking by tray.

Delayed programming for: Cooking, Low-temperature cooking and Washing.

Memory function: records the different cooking methods used.

3 Speeds - 2 power ranges.

Cold-Down chamber cooling system.

"Auto-reverse" system to reverse fan rotation.

5 wash programmes.

Multisensor temperature probe.

PC management software: History, recipes. HACCP, manuals...

HACCP cooking data recording system.

Steam generator equipped with limescale detector.

Steam generator automatically empties every 24 hours of cooking.

Semi-automatic limescale removal system.

Error detection system. "Repair service" mode system.

IPX-5 protection.

Retractable shower.

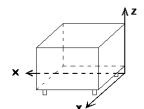
Built-in trolley and structure for trays.

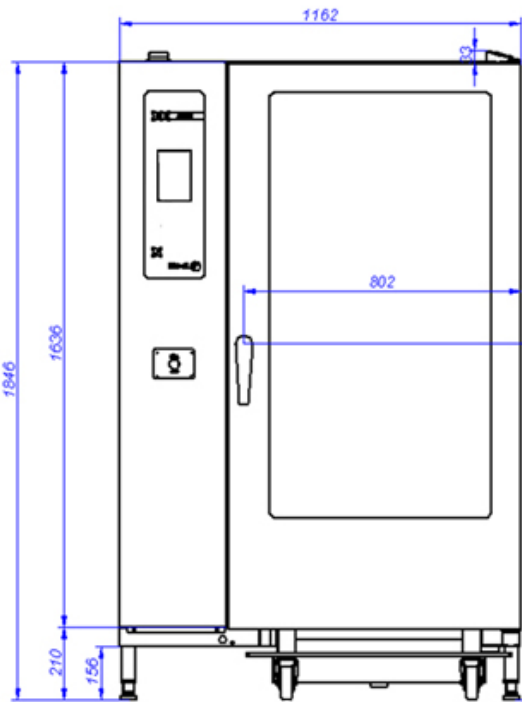
Power intake: 230 V -1+N - 2.4 kW.

Gas heating capacity: 55,900 Kcal/h. (65 kW).

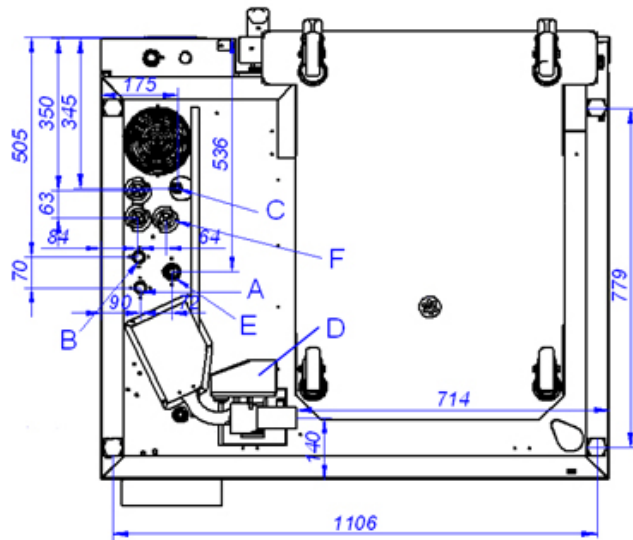
Dimensions: 1,162 x 1,074 x 1,841 mm.

Connections points	X	Y	Z	Diameter	Information
ELECTRICITY	987	870	110		Prever Interruptor diferencial
COLD WATER	1.076	581	110	3/4"	Prever llave de corte en la toma
SOFT COLD WATER	1.073	511	110	3/4"	Prever llave de corte en la toma
DRAIN	90	160	110	1"	
EXHAUST	841	238	1.900	120	
GAS	1.000	510	110	R.3/4"G	Prever regulador y llave de corte individual

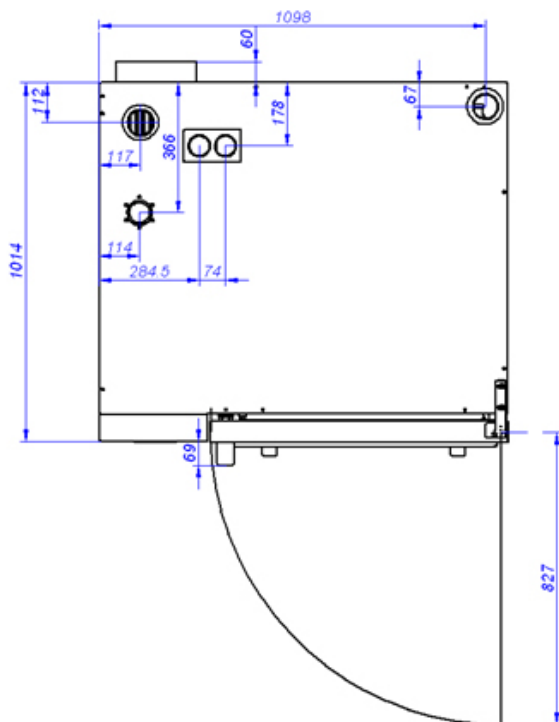




APG-202



VISTA DE LA BASE DESDE LA PARTE INFERIOR
VIEW FROM THE BOTTOM OF THE MACHINE



A: Entrada de agua blanda
B: Entrada de agua dura
D: Desagüe

C: Alimentación eléctrica

E: Entrada de gas

F: Entrada de aire

A: Soft water inlet

B: Water inlet

D: Drain

C: Electrical connection

E: Gas inlet

F: Air