



Ovens

ADVANCE PLUS ovens

GAS ADVANCE PLUS OVEN, APG-061

19010042

DIMENSIONS

		Article	Packed
Length	mm	898,00	1.000,00
Depth	mm	922,00	1.100,00
Height	mm	846,00	1.100,00
Weigth	Kg	141,00	182,00
Volumen	m3	0,70	1,10

ELECTRICITY

Electric power	KW		1,00
230V -1+N		2x1,5+T - 10 A	
230V - III			
400V - III+N			

PLUMBING - WATER

Water consumption (lit/h)		15,00
Pressure (Kg/cm2)		0,5 - 8

GAS

Power	KW	12,00
	Kcal/h	10.320,00
LPG	Consumption (kg/h)	1,15
	Pressure (g/cm2)	37,00
Natural Gas	Consumption (m3/h)	1,48
	Pressure (g/cm2)	18,00

STEAM

Not used

AIR

Not used

LEVEL SOUND

(dB) **62,00**

Certificate EQNET- CE

99AR313

GAS ADVANCE PLUS OVEN, APG-061

High quality, fast cooking :
 - Professional quality and perfect results
 - Easy to use and efficient

Capacity for 6 1/1-GN trays.
 Stainless steel burner with electronic control system with sparking plug ignition.

Frequency modulation for the convection burner.
 "Touch control" screen.

4 cooking methods: Steam, Adjustable Steam (Humidity control during cooking), Regeneration and Convection (up to 300°C).
 Preheating option.

Fagor Easy cooking mode.

Fagor Cooking, range of cooking programmes.

Fagor Multi-Tray System, control cooking by tray.

Delayed programming for: Cooking, Low-temperature cooking and Washing.

Memory function: records the different cooking methods used.

3 Speeds - 2 power ranges.

Cold-Down chamber cooling system.

"Auto-reverse" system to reverse fan rotation.

5 wash programmes.

Multisensor temperature probe.

PC management software: History, recipes. HACCP, manuals...

HACCP cooking data recording system.

Steam generator equipped with limescale detector.

Steam generator automatically empties every 24 hours of cooking.

Semi-automatic limescale removal system.

Error detection system. "Repair service" mode system.

IPX-5 protection.

Retractable shower.

Electrical connection: 230 V - 1+N - 1 KW.

Gas heating capacity: 10,320 Kcal/h. (12 kW).

Dimensions: 898 x 922 x 846 mm.

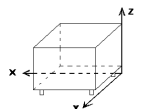
Optional elements:

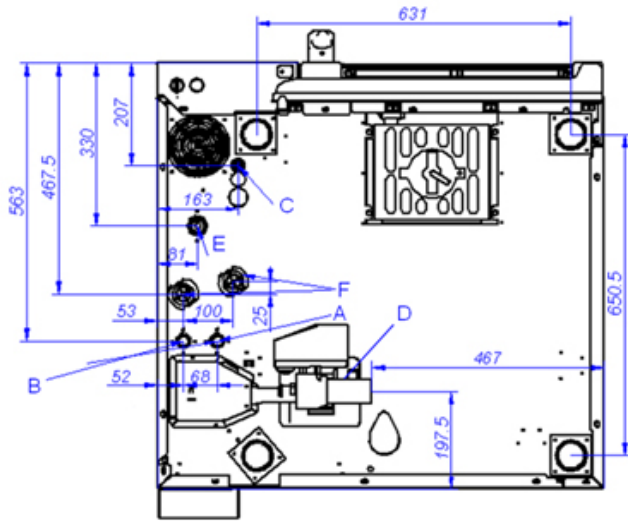
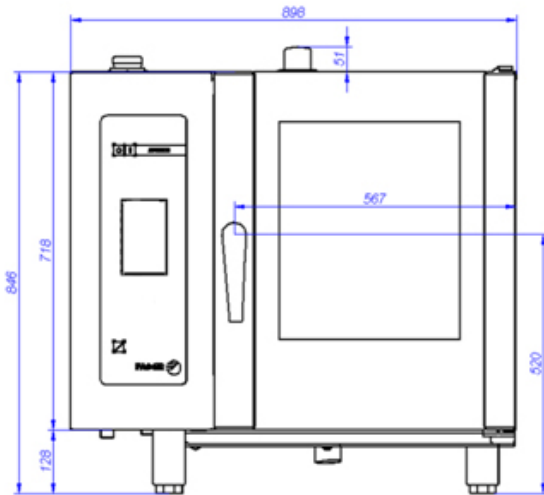
- Structure for trays EB-101 or dishes EP-101

- Trolley for structure CP-101

- Supports SH-101

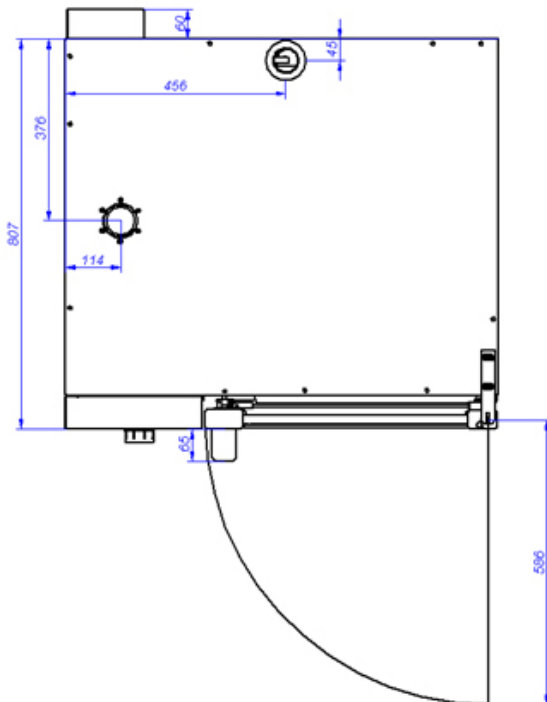
Connections points	X	Y	Z	Diameter	Information
ELECTRICITY	731	661	110		Prever Interruptor diferencial
COLD WATER	839	315	110	3/4"	Prever llave de corte en la toma
DRAIN	380	237	110	1"	
SOFT COLD WATER	771	315	110	3/4"	Prever llave de corte en la toma
EXHAUST	617	240	850	120	
GAS	822	606	110	R.3/4"G	Prever regulador y llave de corte individual





APG-061

VISTA DE LA BASE DESDE LA PARTE INFERIOR
VIEW FROM THE BOTTOM OF THE MACHINE



- A: Entrada de agua blanda
- B: Entrada de agua dura
- D: Desagüe
- C: Alimentación eléctrica
- E: Entrada de gas
- F: Entrada de aire
- A: Soft water inlet
- B: Water inlet
- D: Drain
- C: Electrical connection
- E: Gas inlet
- F: Air