



## Ovens

### ADVANCE PLUS ovens

## ADVANCE PLUS OVEN, APE-101

19011023

### DIMENSIONS

		Article	Packed
Length	mm	898,00	1.100,00
Depth	mm	867,00	1.000,00
Height	mm	1.117,00	1.270,00
Weight	Kg	169,00	224,00
Volumen	m3	0,87	1,54

### ELECTRICITY

Electric power	KW	
230V - I+N		
230V - III		3x10+T - 63 A
400V - III+N		4x6+T - 32 A

### PLUMBING - WATER

Water consumption (lit/h)	40,00
Pressure (Kg/cm2)	2 - 4

### GAS

Not used

### STEAM

Not used

### AIR

Not used

### LEVEL SOUND

(dB) 62,00

### ADVANCE PLUS OVEN, APE-101

Innovative technology in the kitchen :

- Professional quality
- Precision, excellence and perfect results
- Save time and money

Capacity for 10 1/1-GN trays.

"Touch control" screen.

4 cooking methods: Steam, Adjustable Steam (Humidity control during cooking), Regeneration and Convection (up to 300°C).

Preheating option.

Fagor Easy cooking mode.

Fagor Cooking, range of cooking programmes.

Fagor Multi-Tray System, control cooking by tray.

Delayed programming for: Cooking, Low-temperature cooking and Washing.

Memory function: records the different cooking methods used.

3 Speeds - 2 power ranges.

Cold-Down chamber cooling system.

"Auto-reverse" system to reverse fan rotation.

5 wash programmes.

Multisensor temperature probe.

PC management software: History, recipes. HACCP, manuals...

HACCP cooking data recording system.

Steam generator equipped with limescale detector.

Steam generator automatically empties every 24 hours of cooking.

Semi-automatic limescale removal system.

Error detection system.

"Repair service" mode system.

Quick door-closing system.

IPX-5 protection.

Retractable shower.

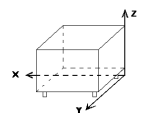
Power: 19.2 kW.

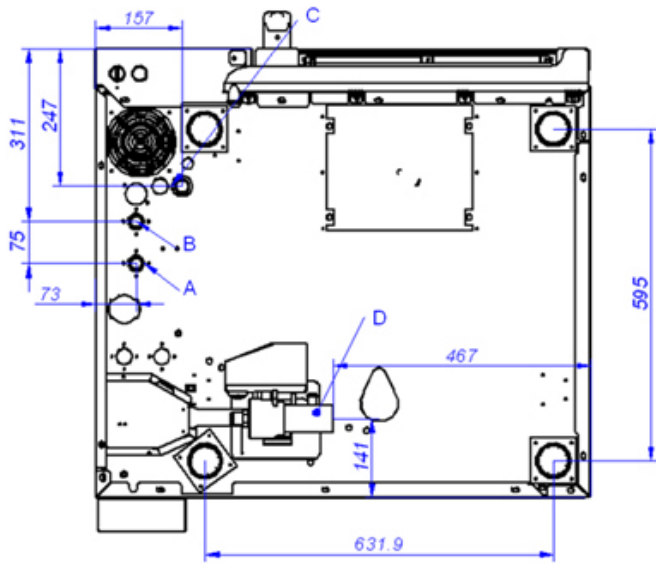
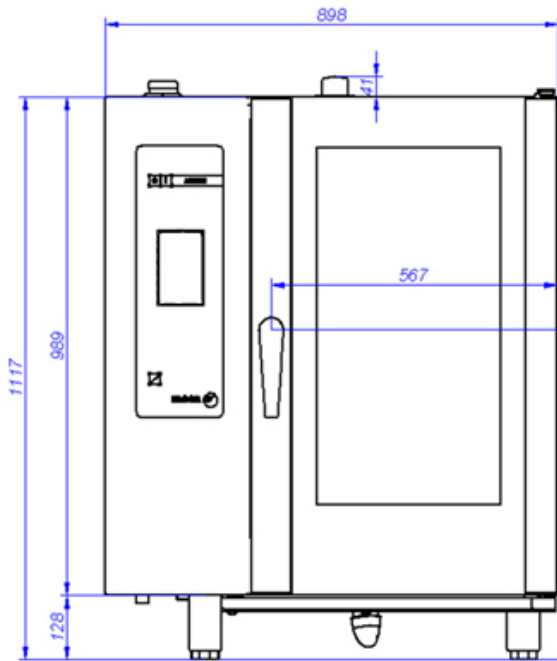
Dimensions: 868 x 867 x 1.117 mm.

Accessories in option:

- Support SH-101, neutral cabinet, hot cabinet.
- Structures for trays or dishes, trolley for structure
- GN trays, grids, moulds...

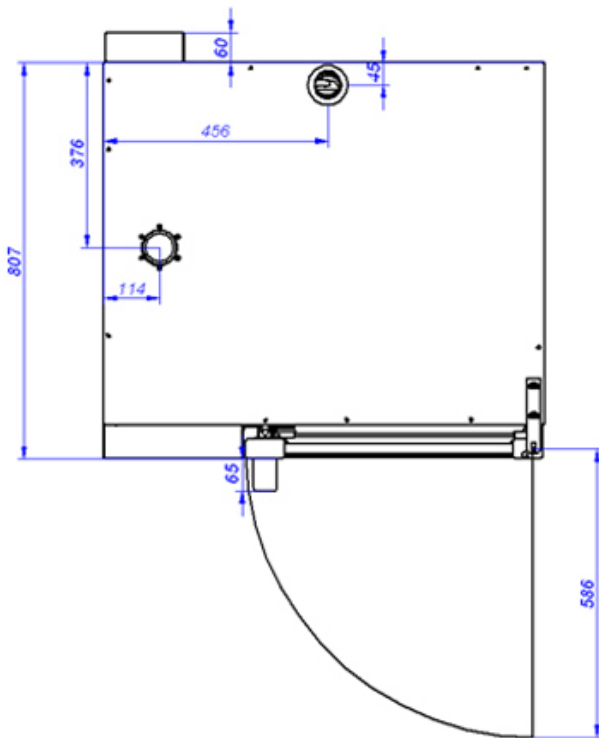
Connections points	X	Y	Z	Diameter	Information
ELECTRICITY	742	620	110		
COLD WATER	825	481	110	3/4"	
SOFT COLD WATER	825	556	110	3/4"	
DRAIN	467	666	110	30x25	





**APE-101**

VISTA DE LA BASE DESDE LA PARTE INFERIOR  
VIEW FROM THE BOTTOM OF THE MACHINE



- A: Entrada de agua blanda
- B: Entrada de agua dura
- D: Desagüe

C: Alimentación eléctrica

- A: Soft water inlet
- B: Water inlet
- D: Drain

C: Electrical connection