



Catalogue  
**CATERING**

Chapter  
**OVENS**

Model  
**AG-201 LPG 230V 1N 50Hz**

19011193

**DIMENSIONS**

	<b>Article</b>		<b>Packed</b>	
Lenght	1045	mm	1100	mm
Depth	925	mm	1015	mm
Height	1850	mm	2070	mm
Weight	310,000	kg	376,000	kg
Volume	1,788	m3	2,311	m3

**ELECTRICITY**

Electric power	2,40	kw
Voltage	230V -1N	
Single-phase 230V wiring	2X1,5+T - 10 A	
Frequency	50	hz

**PLUMBING-WATER**

Water consumption	30,00	l/hr
Pressure	Water Pres:200-400kPa(2-4bar)	

**GAS**

Power	36,00	kw
	30982,05	kcal/h
LPG Consumption	3,00	kg/h
Pressure	LPG G30/G31 28-30/37	mbar

**LEVEL SOUND**

<b>Certification EQNET-CE</b>	62,00	db
	1312CN5757	

GAS ADVANCE OVEN, AG-201

High quality, fast cooking :

- Professional quality
- Easy to use and efficient
- Perfect results
- Affordable

Capacity for 20 1/1-GN trays.

Stainless steel burner with electronic control system with sparking plug ignition.

Frequency modulation for the convection burner.

Push-button and "Scrolling" controls.

5 cooking methods: Steam, Low-temperature steam, Regeneration, Combination and Convection (up to 300°C).

Preheating option.

Overnight cooking or low-temperature programme.

3 Speeds - 2 power ranges.

Cold-Down chamber cooling system.

"Auto-reverse" system to reverse fan rotation.

Electronic temperature probe.

Steam generator equipped with limescale detector.

Steam generator automatically empties every 24 hours of cooking.

Semi-automatic limescale removal system.

Error detection system. "Repair service" mode system.

IPX-5 protection.

Retractable shower.

Built-in trolley and structure for trays.

Power intake: 230 V -1+N- 2.4 kW.

Gas heating capacity: 30,960 Kcal/h. (36 kW).

Dimensions: 929 x 964 x 1,841 mm.

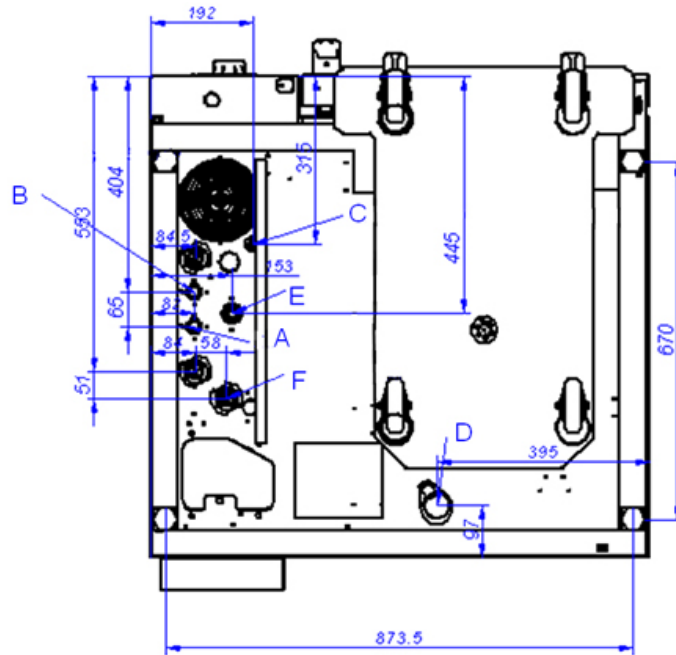
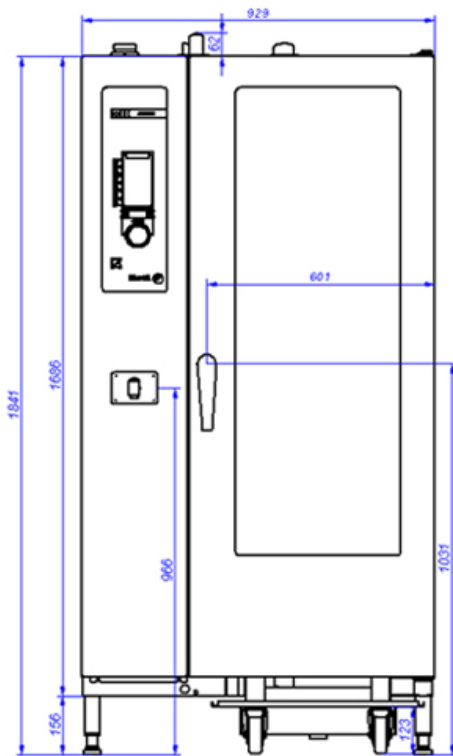


Catalogue  
**CATERING**

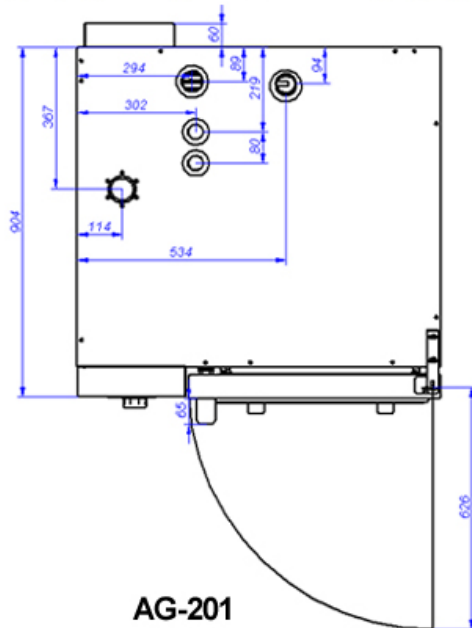
Chapter  
**OVENS**

Model  
**AG-201 LPG 230V 1N 50Hz**

19011193



VISTA DE LA BASE DESDE LA PARTE INFERIOR  
VIEW FROM THE BOTTOM OF THE MACHINE



**AG-201**

- A: Entrada de agua blanda
- B: Entrada de agua dura
- D: Desagüe

C: Alimentación eléctrica

E: Entrada de gas

F: Entrada de aire

A: Soft water inlet

B: Water inlet

D: Drain

C: Electrical connection

E: Gas inlet

F: Air