



Ovens

ADVANCE ovens

GAS ADVANCE OVEN, AG-061

DIMENSIONS

		Article	Packed
Length	mm	898,00	1.000,00
Depth	mm	922,00	1.100,00
Height	mm	846,00	1.100,00
Weigth	Kg	141,00	182,00
Volumen	m3	0,70	1,10

ELECTRICITY

Electric power	KW	
230V -1+N		2x1,5+T - 10 A
230V - III		
400V - III+N		

WATER

Water consumption (lit/h)		15,00
Pressure (Kg/cm2)		0,5 - 8

GAS

Power	KW	12,00
	Kcal/h	10.320,00
LPG	Consumption (kg/h)	1,15
	Pressure (g/cm2)	37,00
Natural Gas	Consumption (m3/h)	1,48
	Pressure (g/cm2)	18,00

STEAM

Not used

AIR

Not used

LEVEL SOUND

(dB) 62,00

Certificate EQNET- CE

99AR313

GAS ADVANCE COMBI OVEN, AG-061

High quality, fast cooking :

- Professional quality
- Easy to use and efficient
- Perfect results
- Affordable

Capacity for 6 1/1-GN trays.

Stainless steel burner with electronic control system with sparking plug ignition.

Frequency modulation for the convection burner.

Push-button and "Scrolling" controls.

5 cooking methods: Steam, Low-temperature steam, Regeneration, Combination and Convection (up to 300°C).
Preheating option.

Overnight cooking or low-temperature programme.

3 Speeds - 2 power ranges.

Cold-Down chamber cooling system.

"Auto-reverse" system to reverse fan rotation.

Electronic temperature probe.

Steam generator equipped with limescale detector.

Steam generator automatically empties every 24 hours of cooking.

Semi-automatic limescale removal system.

Error detection system. "Repair service" mode system.

IPX-5 protection.

AUTOMATIC CLEANING - Wash program for the cooking chamber.

Retractable shower.

Electrical connection: 230 V - 1+N

Electric power: 1,20 kW.

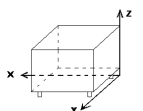
Gas heating power: 12 kW.

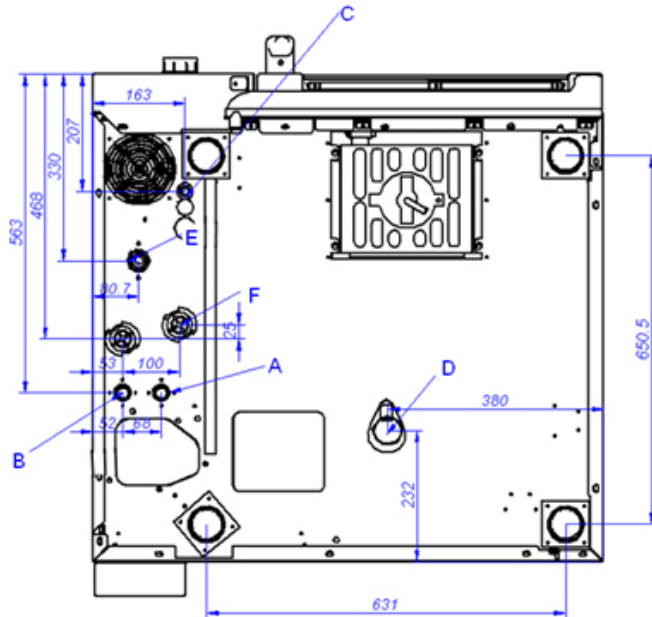
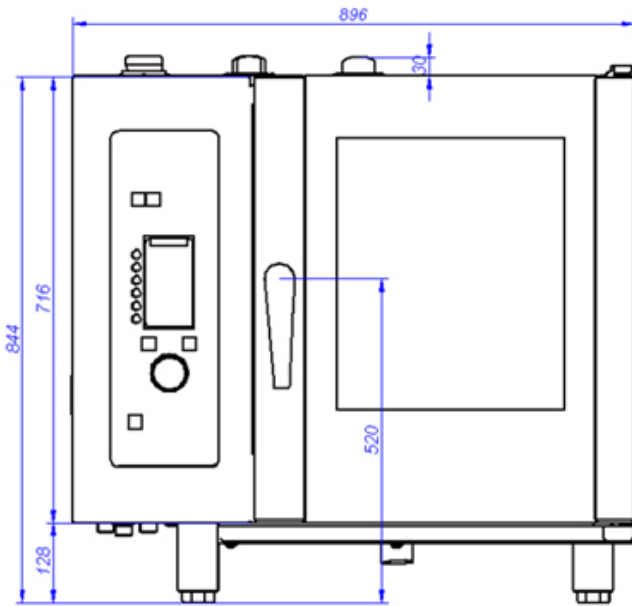
Dimensions: 898 x 922 x 846 mm.

Accessories in option:

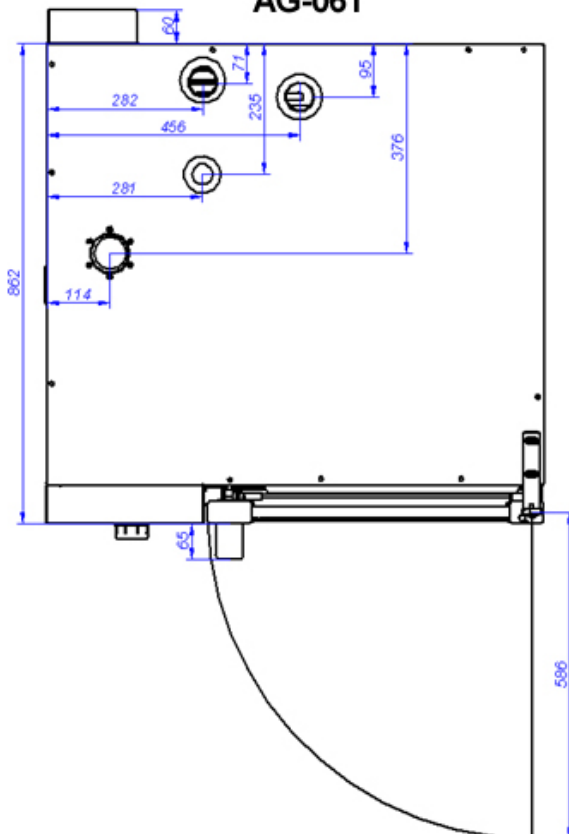
- Support SH-11
- Structure for trays EB-061
- Structure for dishes EP-061
- Loading trolley CP-11

Connections points	X	Y	Z	Diameter	Information
ELECTRICITY	731	661	110		Prever Interruptor diferencial
COLD WATER	839	315	110	3/4"	Prever llave de corte en la toma
DRAIN	380	237	110	1"	
SOFT COLD WATER	771	315	110	3/4"	Prever llave de corte en la toma
EXHAUST	617	240	850	120	
GAS	822	606	110	R.3/4"G	Prever regulador y llave de corte individual





AG-061



VISTA DE LA BASE DESDE LA PARTE INFERIOR
VIEW FROM THE BOTTOM OF THE MACHINE

A: Entrada de agua blanda
B: Entrada de agua dura
D: Desagüe

C: Alimentación eléctrica

E: Entrada de gas

F: Entrada de aire

A: Soft water inlet

B: Water inlet

D: Drain

C: Electrical connection

E: Gas inlet

F: Air