



Ovens

ADVANCE ovens

ADVANCE OVEN, AE-201

DIMENSIONS

		Article	Packed
Length	mm	929,00	1.000,00
Depth	mm	964,00	1.100,00
Height	mm	1.841,00	2.000,00
Weigth	Kg	333,00	366,00
Volumen	m3	1,65	2,20

ELECTRICITY

Electric power	KW	
230V -1+N		
230V - III		3x16+T - 100 A
400V - III+N		4x6+T - 60 A

WATER

Water consumption (lit/h)	40,00
Pressure (Kg/cm2)	2 - 4

GAS

Not used

STEAM

Not used

AIR

Not used

LEVEL SOUND

(dB) 62,00

ELECTRIC ADVANCE COMBI OVEN, AE-201

High quality, fast cooking :

- Professional quality
- Easy to use and efficient
- Perfect results
- Affordable

Capacity for 20 1/1-GN trays.

Built-in structure for trays with incorporated loading trolley CEB-201

Push-button and "Scrolling" controls.

5 cooking methods: Steam, Low-temperature steam, Regeneration, Combination and Convection (up to 300°C).

Preheating option.

Overnight cooking or low-temperature programme.

3 Speeds - 2 power ranges.

Cold-Down chamber cooling system.

"Auto-reverse" system to reverse fan rotation.

Electronic temperature probe.

Steam generator equipped with limescale detector.

Steam generator automatically empties every 24 hours of cooking.

Semi-automatic limescale removal system.

Error detection system. "Repair service" mode system.

IPX-5 protection.

AUTOMATIC CLEANING - Wash program for the cooking chamber.

Retractable shower.

Door with double glass.

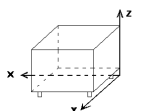
Electric power: 38,40 kW.

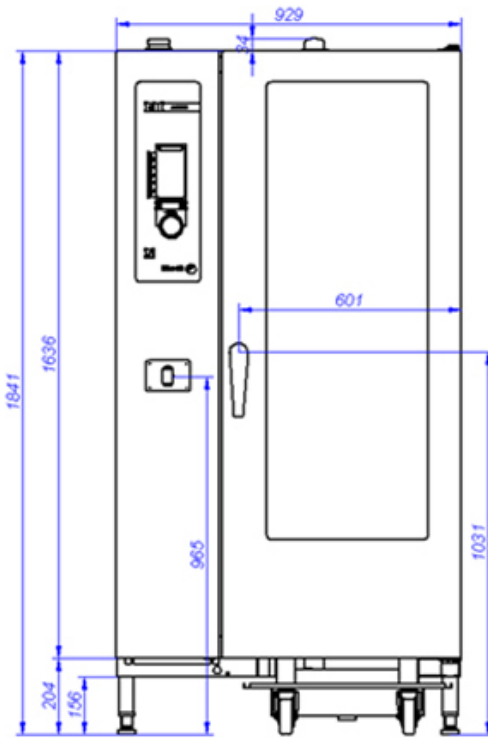
Dimensions: 929 x 964 x 1.841 mm.

Accessories in option:

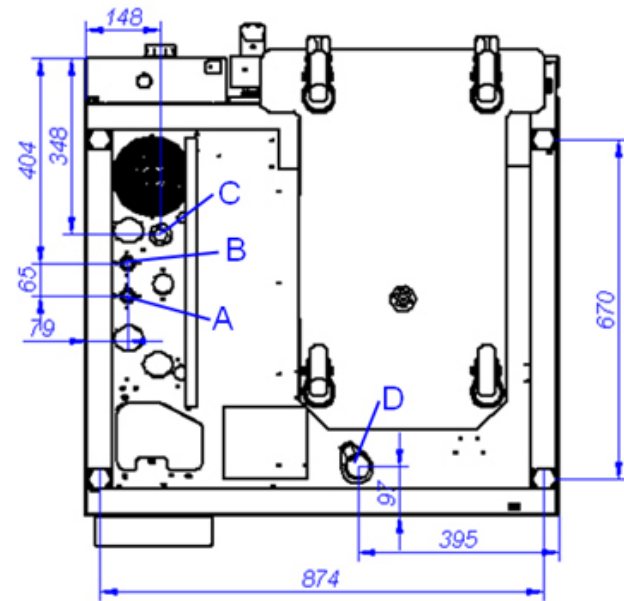
- Structure for dishes with incorporated loading trolley CEP-201
- Thermal cover LTE-201

Connections points	X	Y	Z	Diameter	Information
ELECTRICITY	781	615	110		Prever Interruptor diferencial 300 mA
COLD WATER	850	494	110	3/4"	Prever llave de corte en la toma
DRAIN	395	157	110	30x25	Pendiente del 5%
SOFT COLD WATER	850	559	110	3/4"	Prever llave de corte en la toma

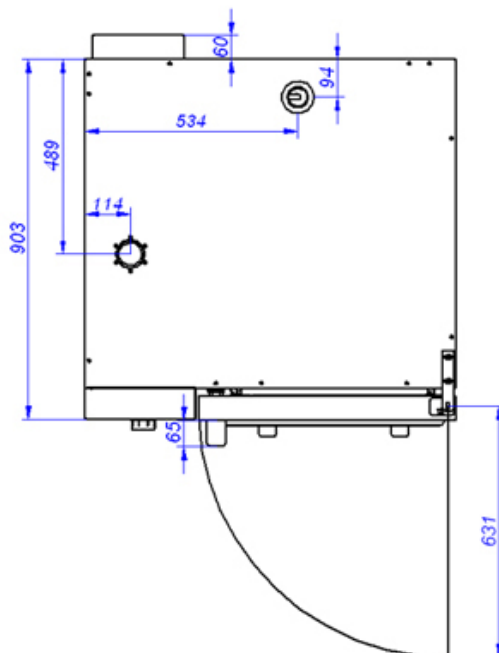




AE-201



VISTA DE LA BASE DESDE LA PARTE INFERIOR
VIEW FROM THE BOTTOM OF THE MACHINE



A: Entrada de agua blanda
B: Entrada de agua dura
D: Desagüe

C: Alimentación eléctrica

A: Soft water inlet
B: Water inlet
D: Drain

C: Electrical connection